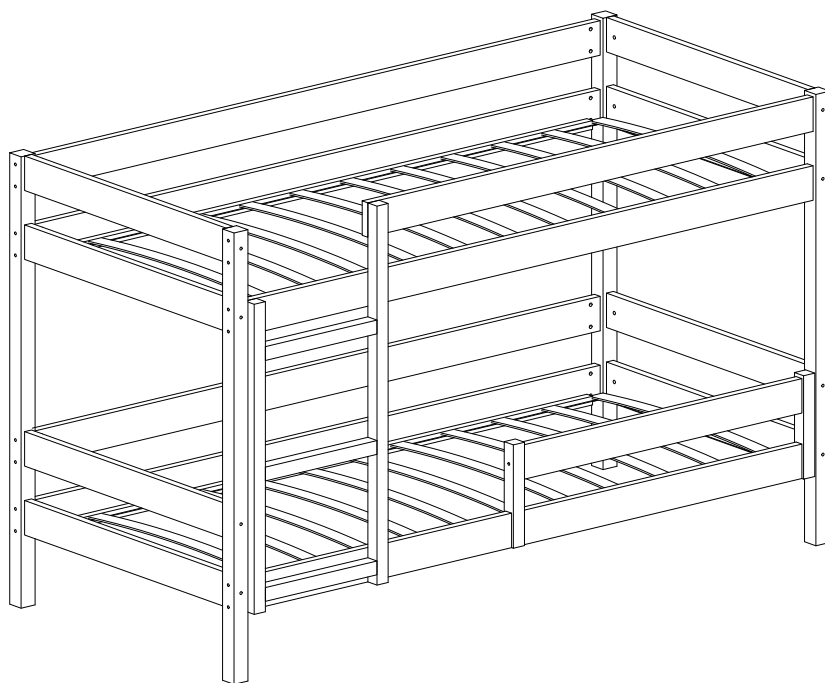
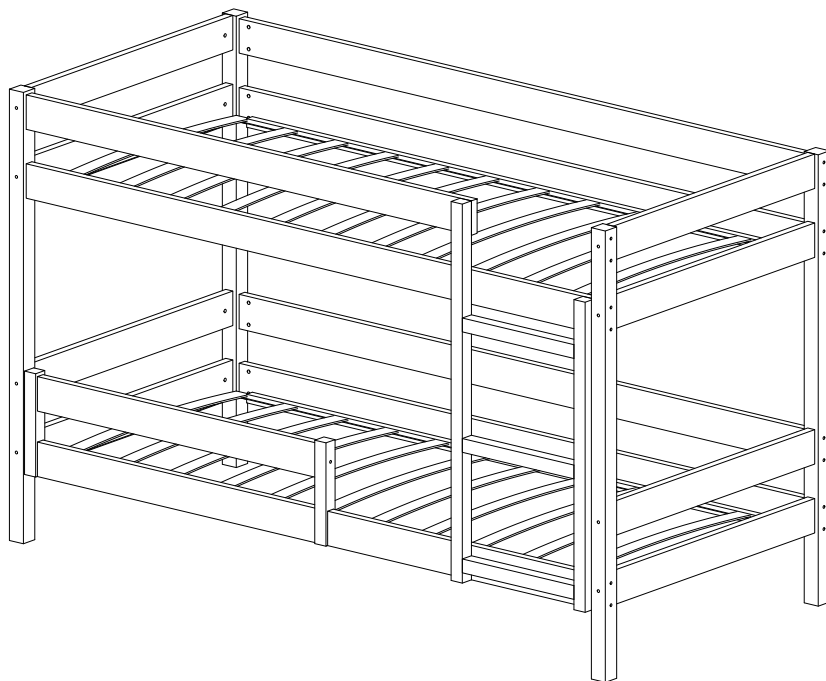


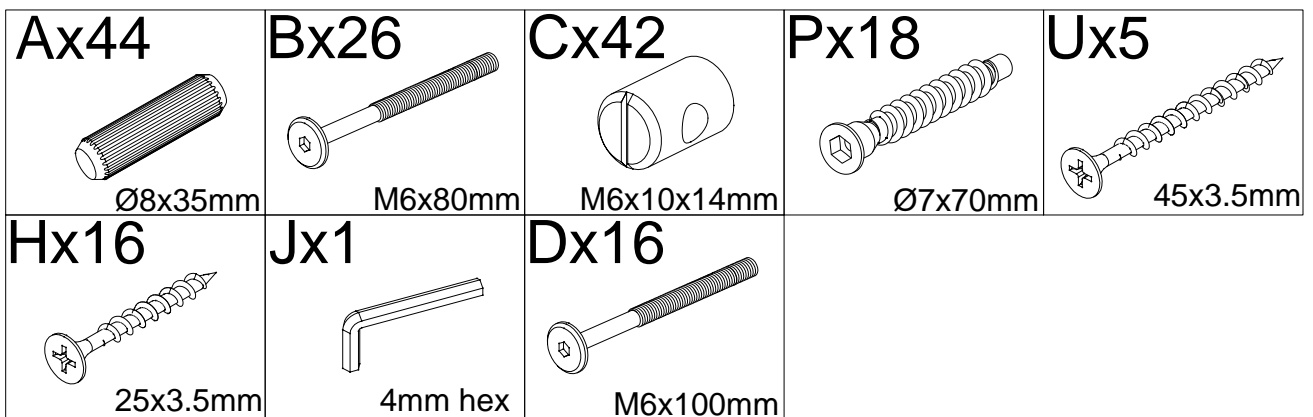
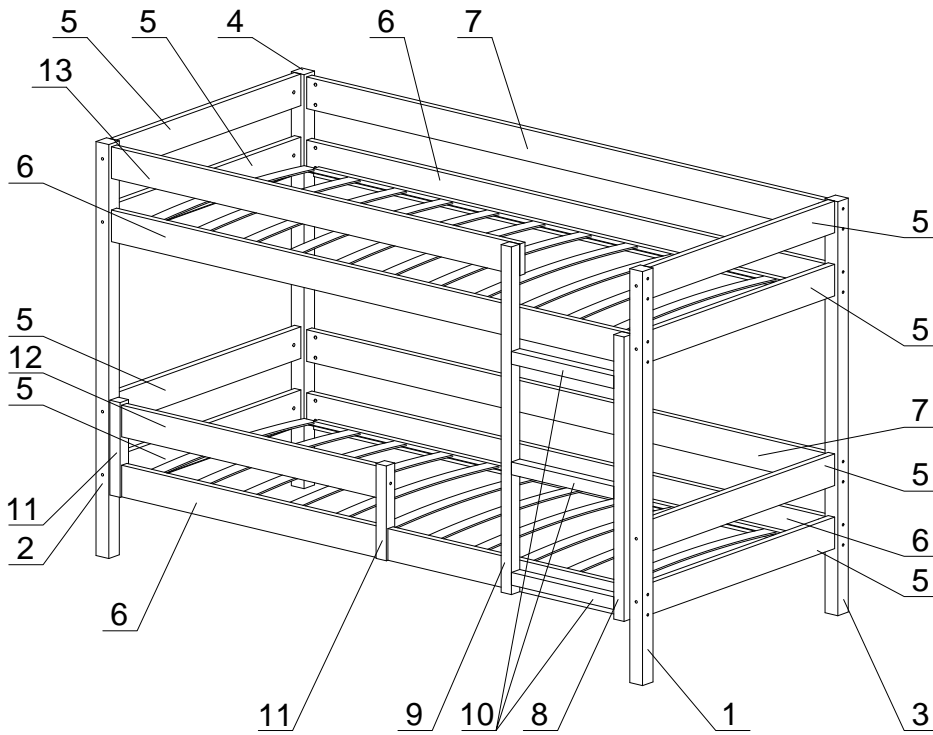
# Atlanta mini



1

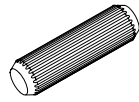
## Atlanta mini

Elementeszeichen	Anzahl
1	1
2	1
3	1
4	1
5	8
6	4
7	2
8	1
9	1
10	3
11	2
12	1
13	1



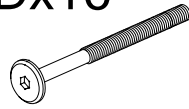
1

Ax32



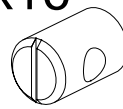
Ø8x35mm

Dx16



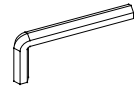
M6x100mm

Cx16

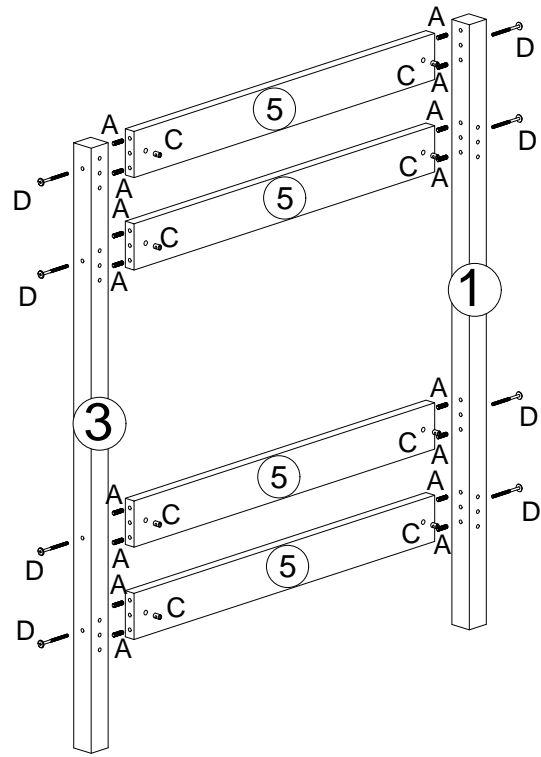
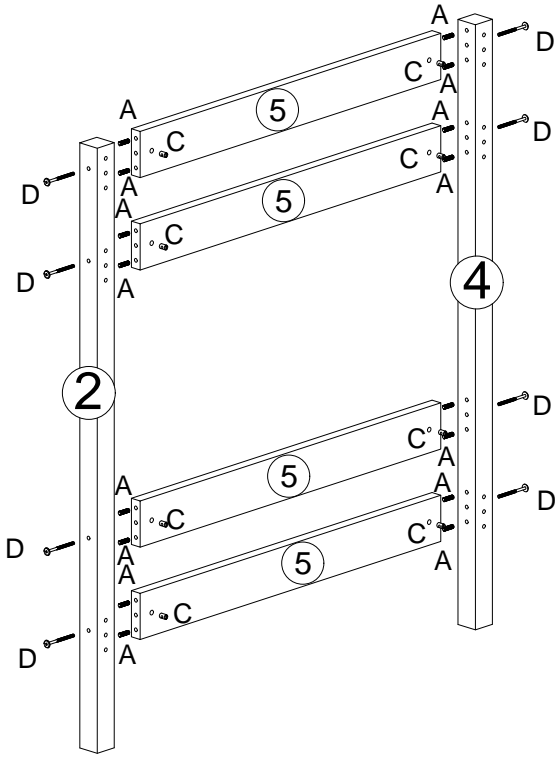


M6x10x14mm

Jx1

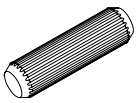


4mm hex



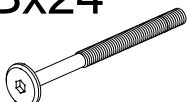
2

Ax12



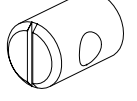
Ø8x35mm

Bx24



M6x80mm

Cx24

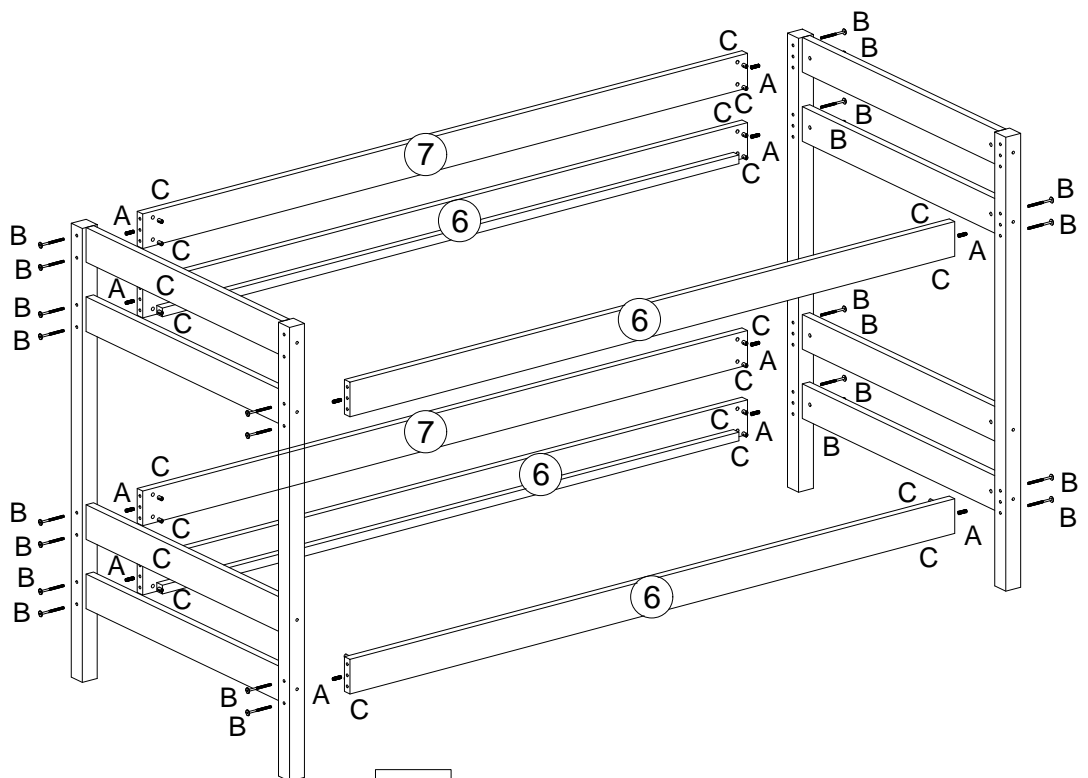


M6x10x14mm

Jx1

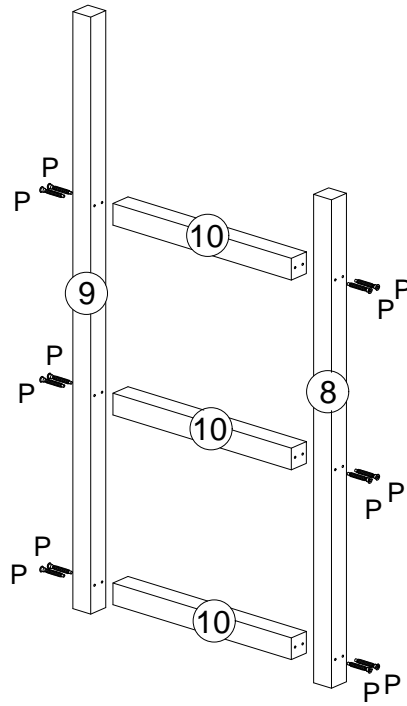



4mm hex

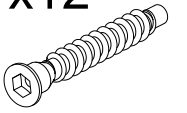


3

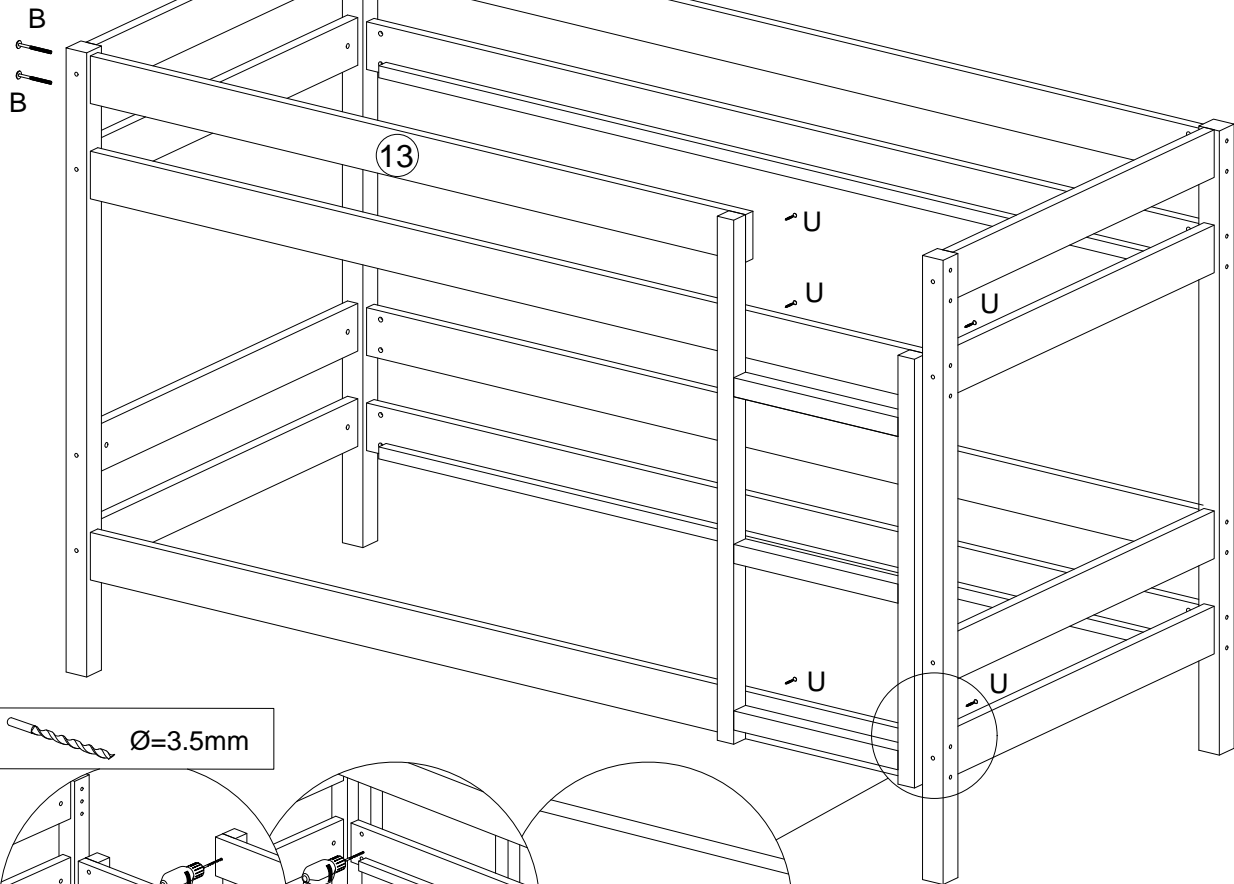
3

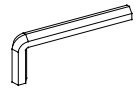


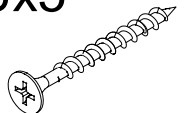
**Jx1**  
  
 4mm hex

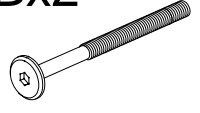
**Px12**  
  
 Ø7x70mm

4

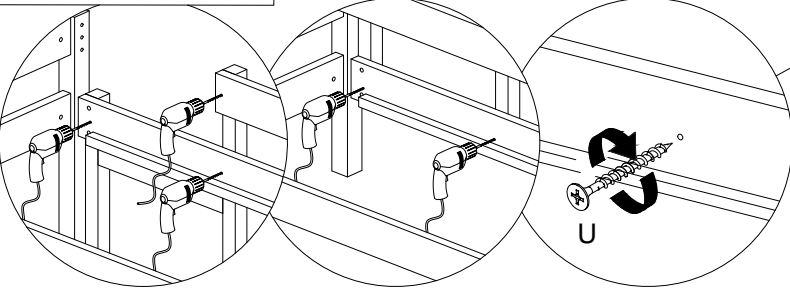


**Jx1**  
  
 4mm hex

**Ux5**  
  
 45x3.5mm

**Bx2**  
  
 M6x80mm

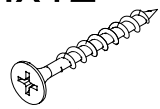
Ø=3.5mm



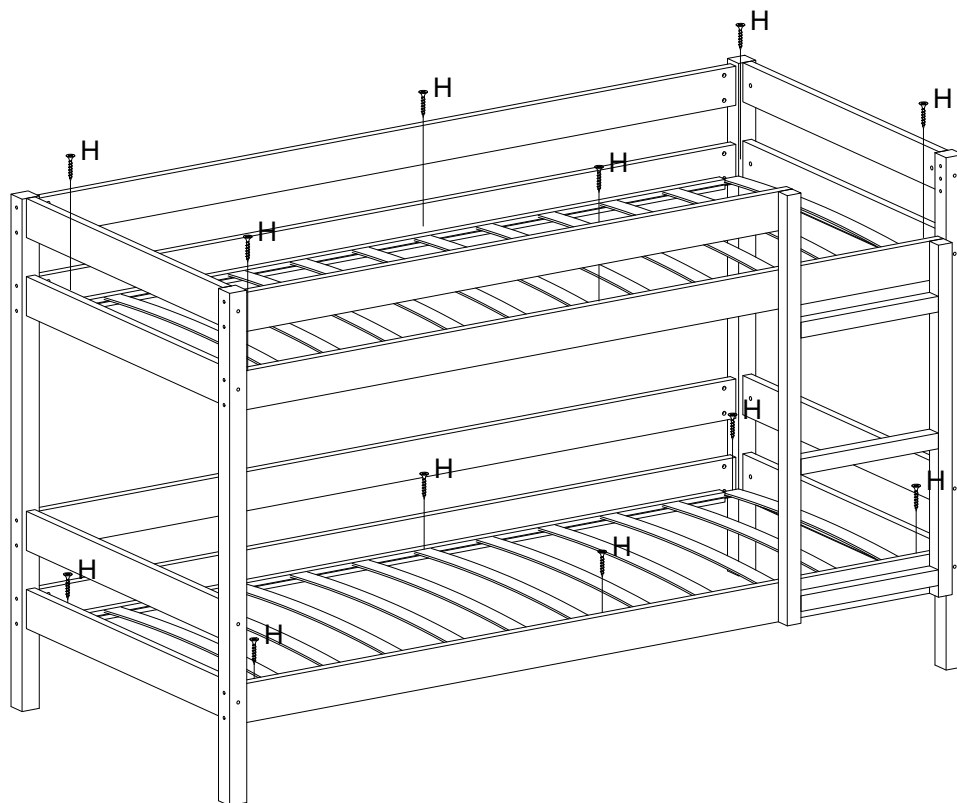
4

5

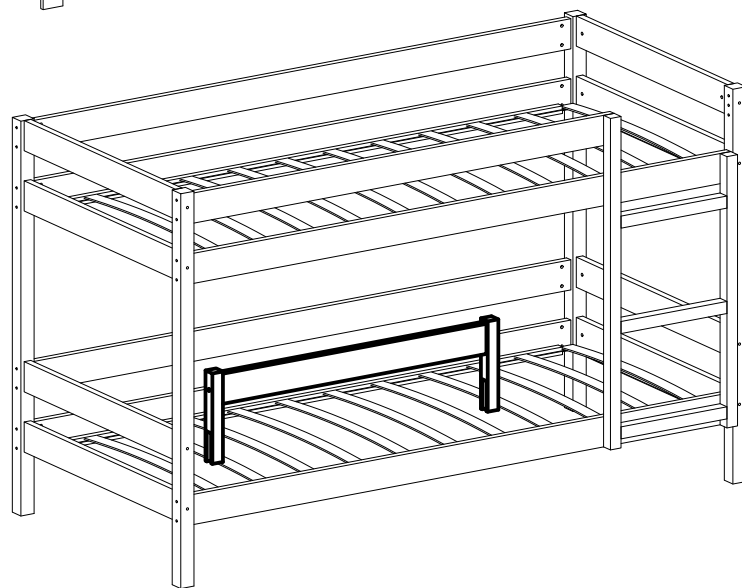
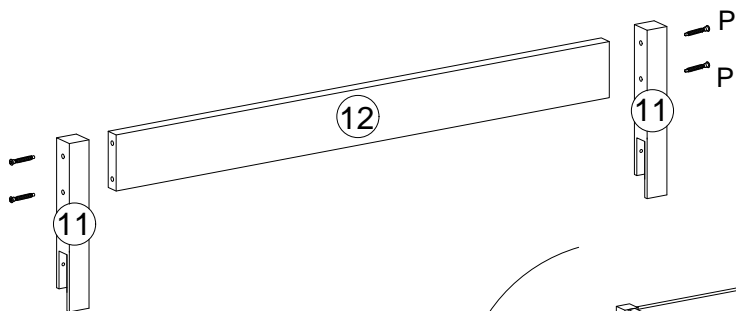
Hx12



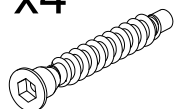
25x3.5mm



6

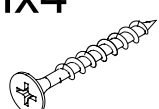


Px4



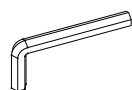
Ø7x70mm

Hx4



25x3.5mm

Jx1



4mm hex

5