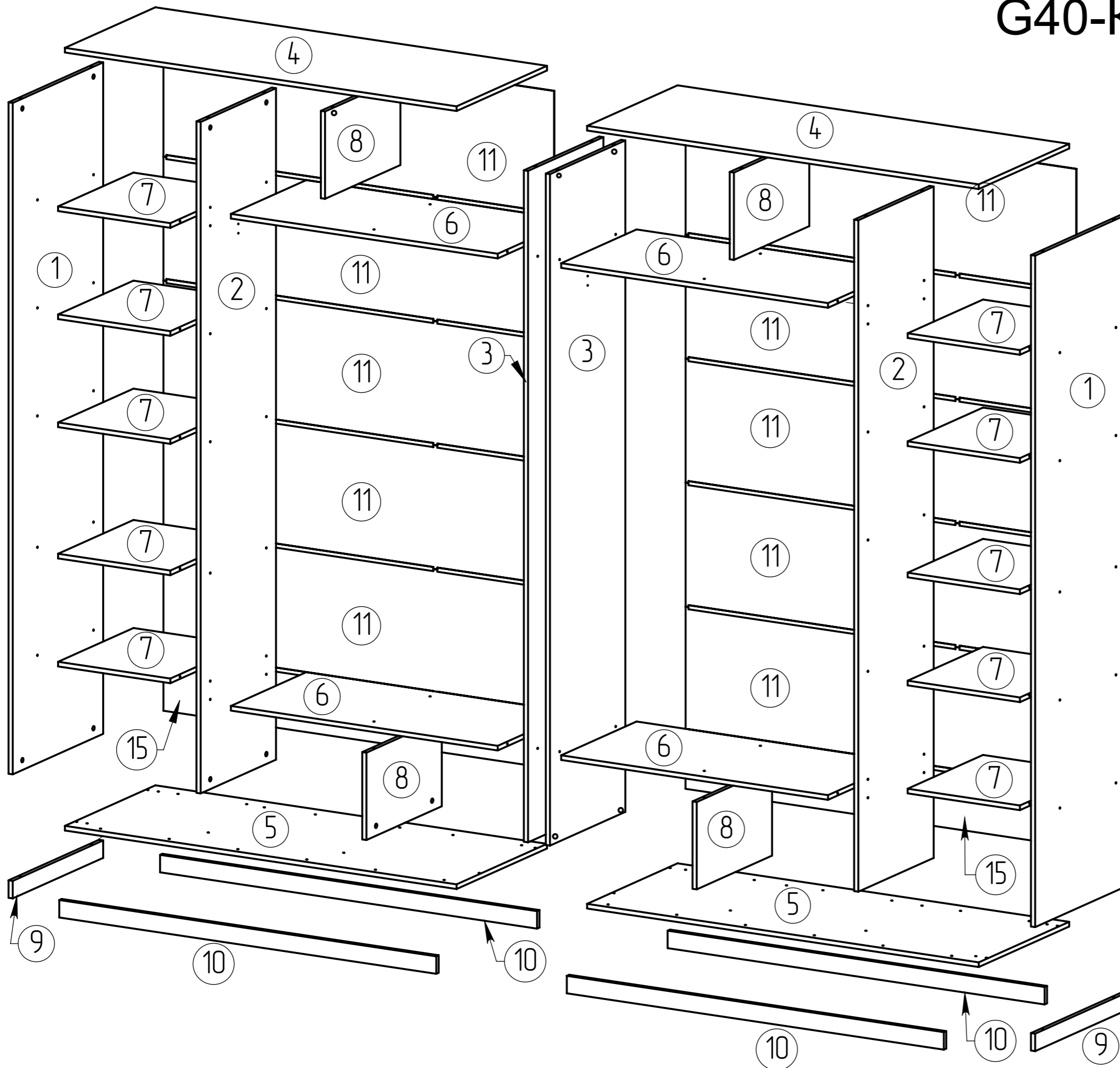


G40-KT-015-A



Виробництво меблів: Garant  
м. Новоград-Волинський, Житомирська обл.,  
Україна  
garant-nv.com

Furniture production: Garant  
Novograd-Volynskiy, Zhytomyr Region,  
Ukraine  
garant-nv.com

# ШК 240x60/SDW 240x60

**240/60/280    240/60/290    240/60/300    240/60/310    240/60/320    240/60/330    240/60/340    240/60/350    240/60/360    X**

①	2306x600x16	2306x600x16	2306x600x16	2306x600x16	2306x600x16	2306x600x16	2306x600x16	2306x600x16	2306x600x16	2
②	2306x500x16	2306x500x16	2306x500x16	2306x500x16	2306x500x16	2306x500x16	2306x500x16	2306x500x16	2306x500x16	2
③	2306x500x16	2306x500x16	2306x500x16	2306x500x16	2306x500x16	2306x500x16	2306x500x16	2106x500x16	2306x500x16	2
④	1400x600x16	1450x600x16	1500x600x16	1550x600x16	1600x600x16	1650x600x16	1700x600x16	1750x600x16	1800x600x16	4
⑤	1400x600x16	1450x600x16	1500x600x16	1550x600x16	1600x600x16	1650x600x16	1700x600x16	1750x600x16	1800x600x16	4
⑥	922x500x16	972x500x16	1022x500x16	1072x500x16	1122x500x16	1172x500x16	1052x500x16	1102x500x16	1152x500x16	4
⑦	430x500x16	430x500x16	430x500x16	430x500x16	430x500x16	430x500x16	600x500x16	600x500x16	600x500x16	10
⑧	300x500x16	300x500x16	300x500x16	300x500x16	300x500x16	300x500x16	300x500x16	300x500x16	300x500x16	4
⑨	600x60x16	600x60x16	600x60x16	600x60x16	600x60x16	600x60x16	600x60x16	600x60x16	600x60x16	2
⑩	1344x60x16	1394x60x16	1444x60x16	1494x60x16	1544x60x16	1594x60x16	1644x60x16	1694x60x16	1744x60x16	4
⑪	425x1396x2,5	425x1446x2,5	425x1496x2,5	425x1546x2,5	425x1596x2,5	425x1646x2,5	425x1696x2,5	425x1746x2,5	425x1796x2,5	10
⑫	2264x705	2264x730	2264x755	2264x780	2264x805	2264x830	2264x855	2264x880	2264x905	4
⑬	L=2764	L=2864	L=2964	L=3064	L=3164	L=3264	L=3364	L=3464	L=3564	1
⑭	L=2764	L=2864	L=2964	L=3064	L=3164	L=3264	L=3364	L=3464	L=3564	1
⑮	199x1396x2,5	199x1446x2,5	199x1496x2,5	199x1546x2,5	199x1596x2,5	199x1646x2,5	199x1696x2,5	199x1746x2,5	199x1796x2,5	2

A



x85

A1



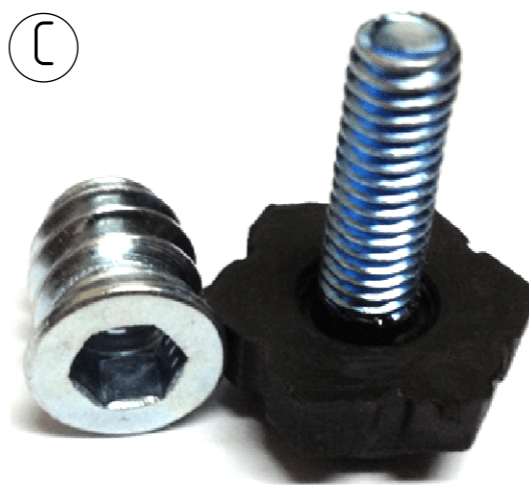
x85

B



x40 4,0\*16

C



x16

D



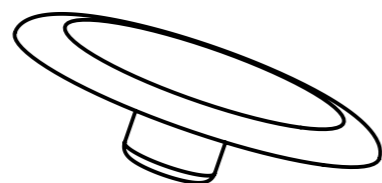
x150

E



x32

E1



x32

F



x18,12

G



x4

G1



x2

H



x4

I



x20

J



x16

K



x12

3,5\*16

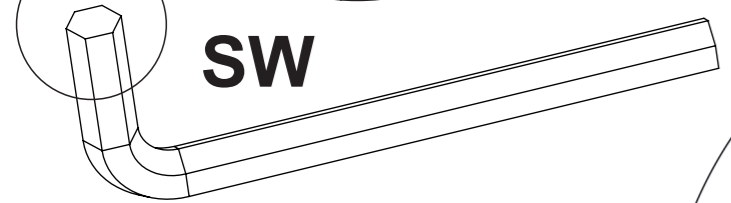
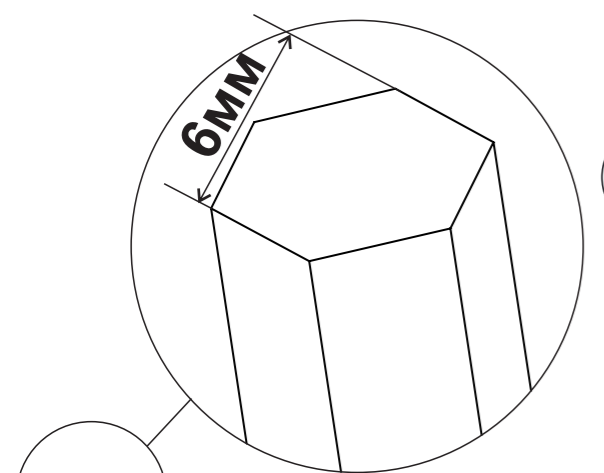
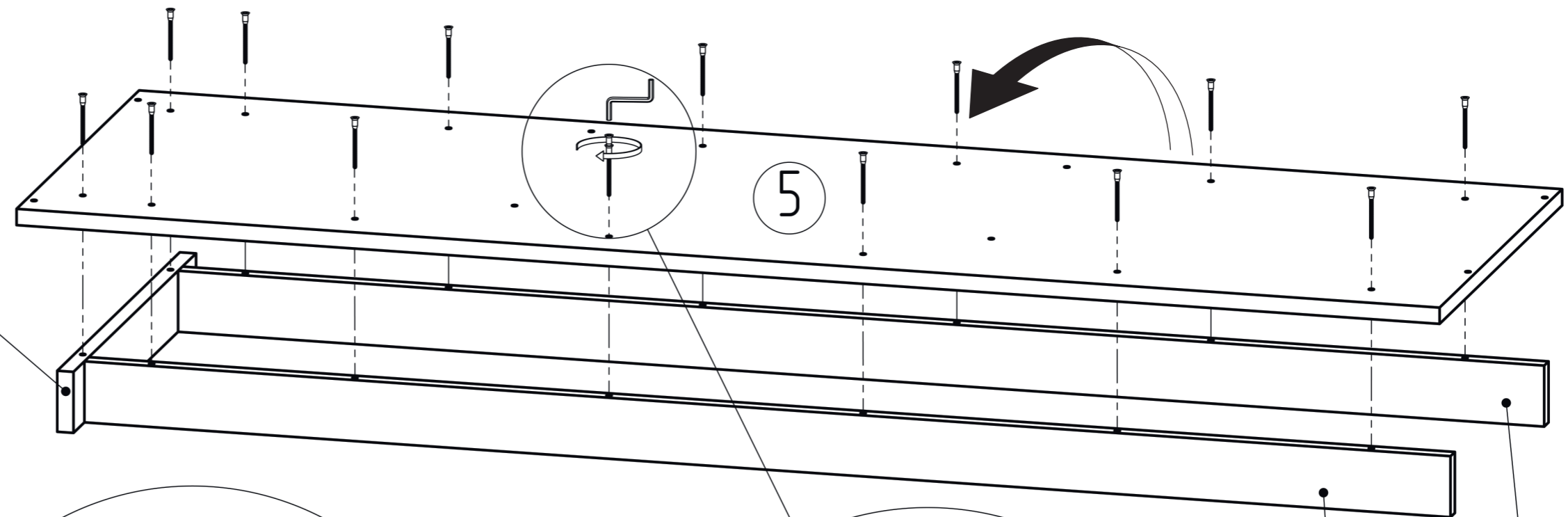
L



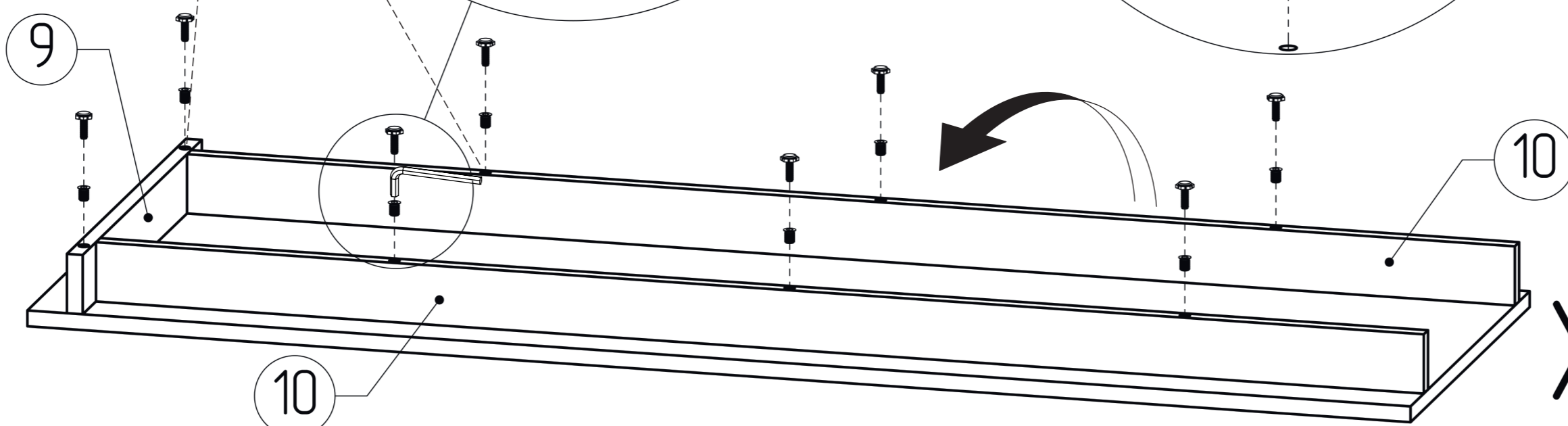
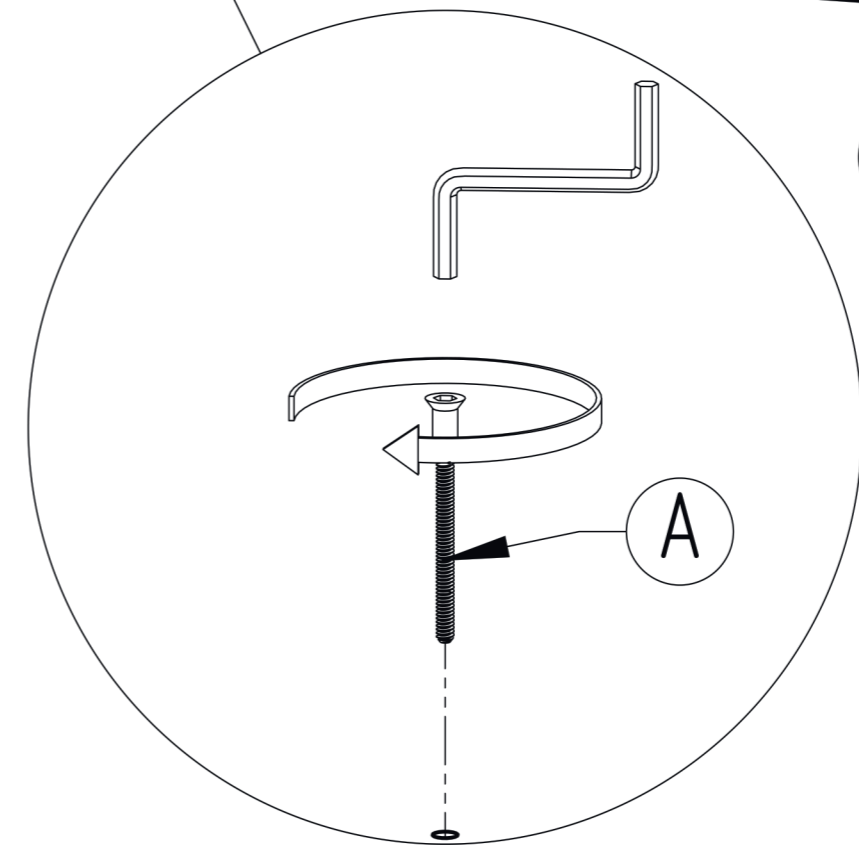
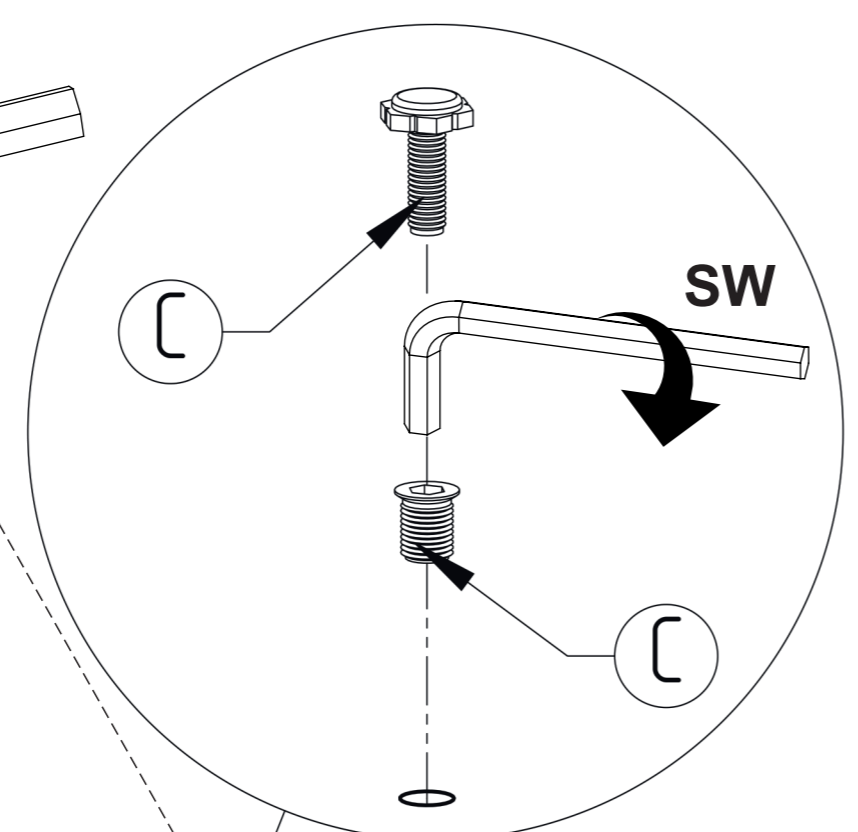
x6

1

X2

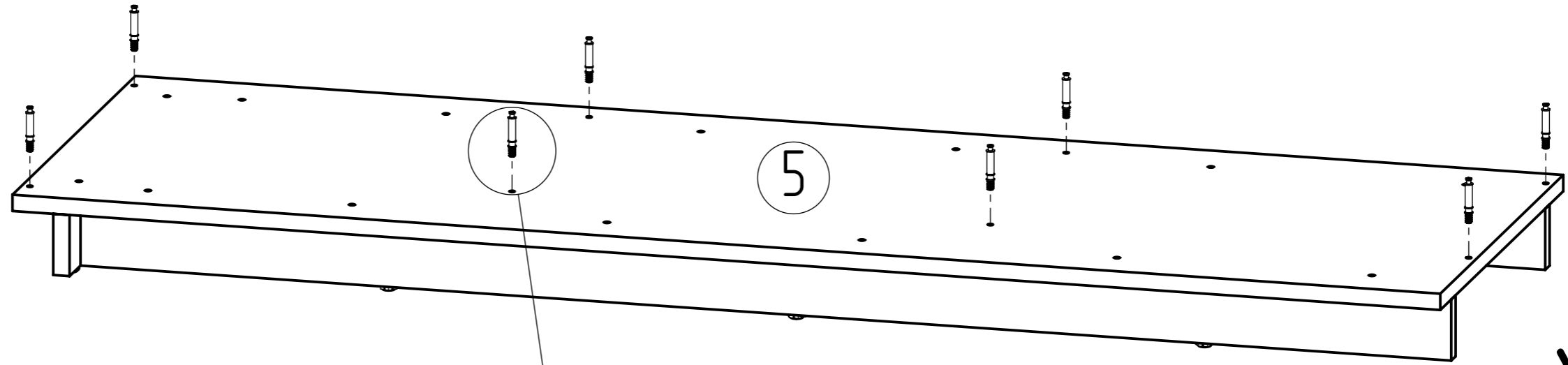


Ø 9 mm

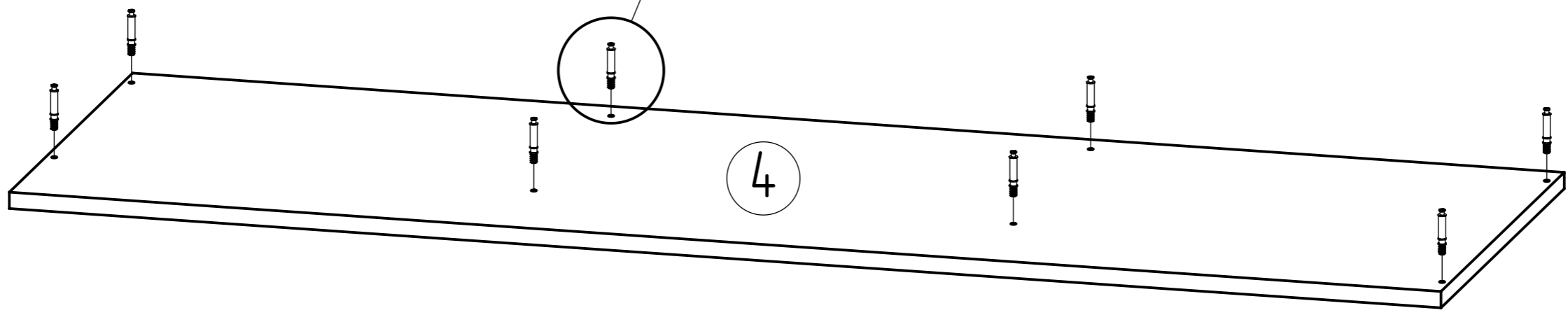
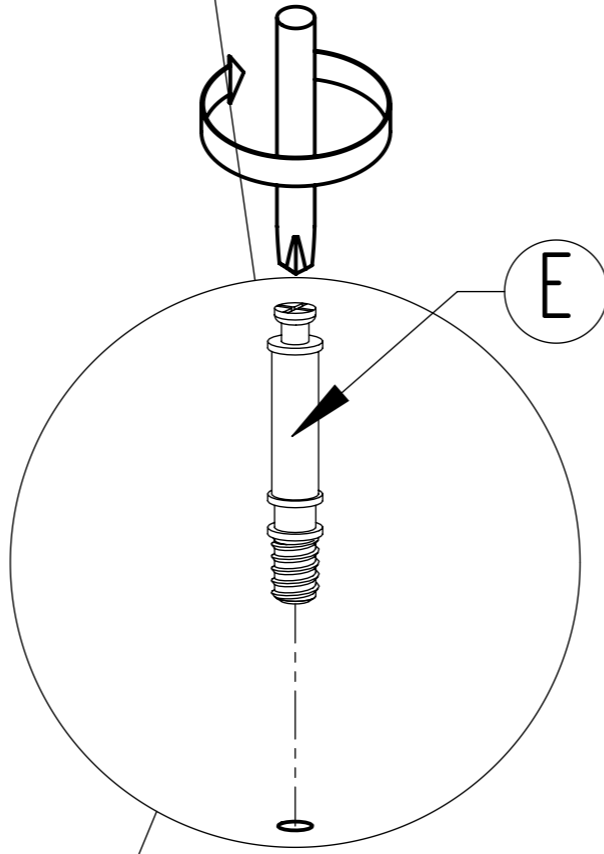


X2

2

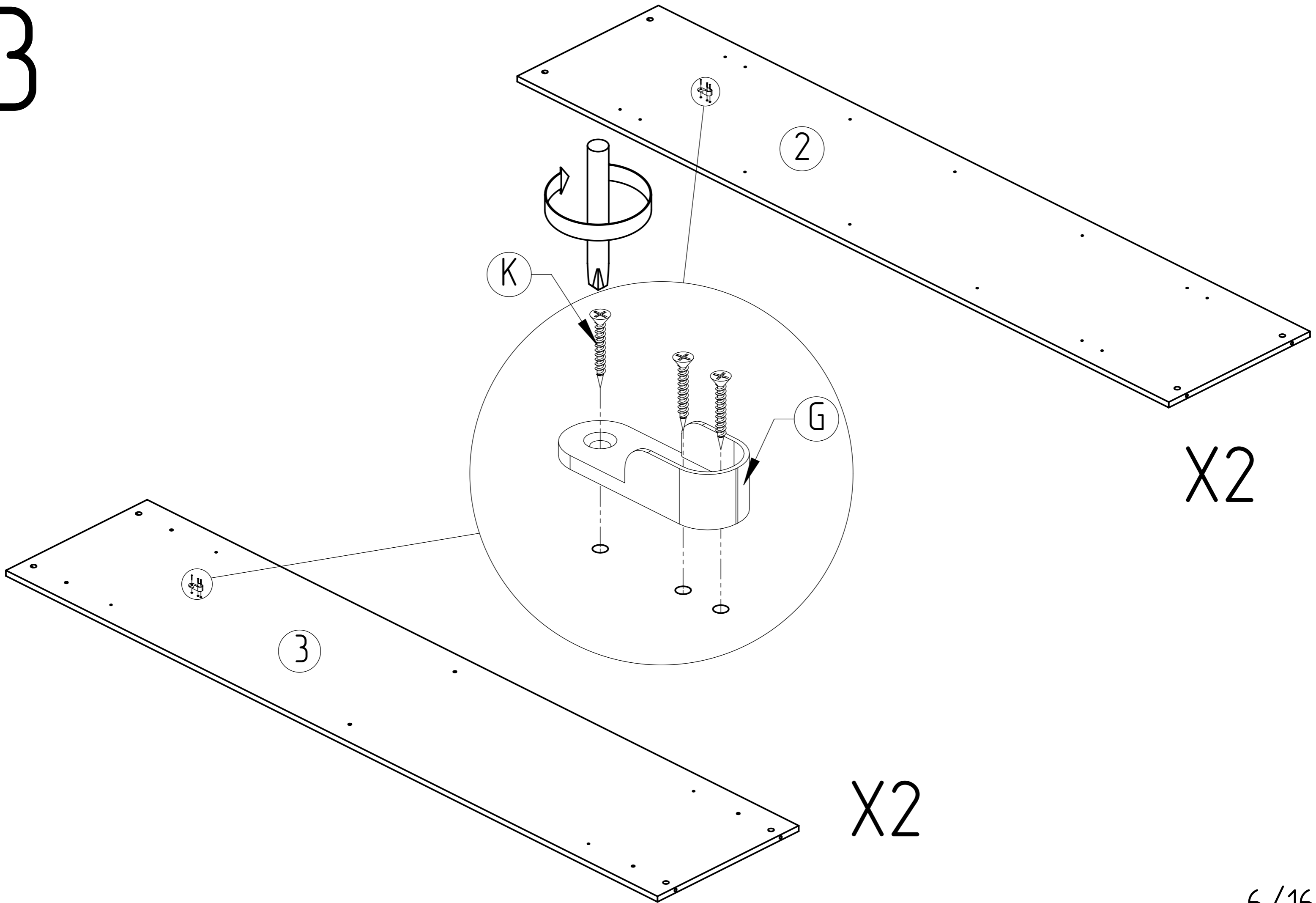


X2



X2

3

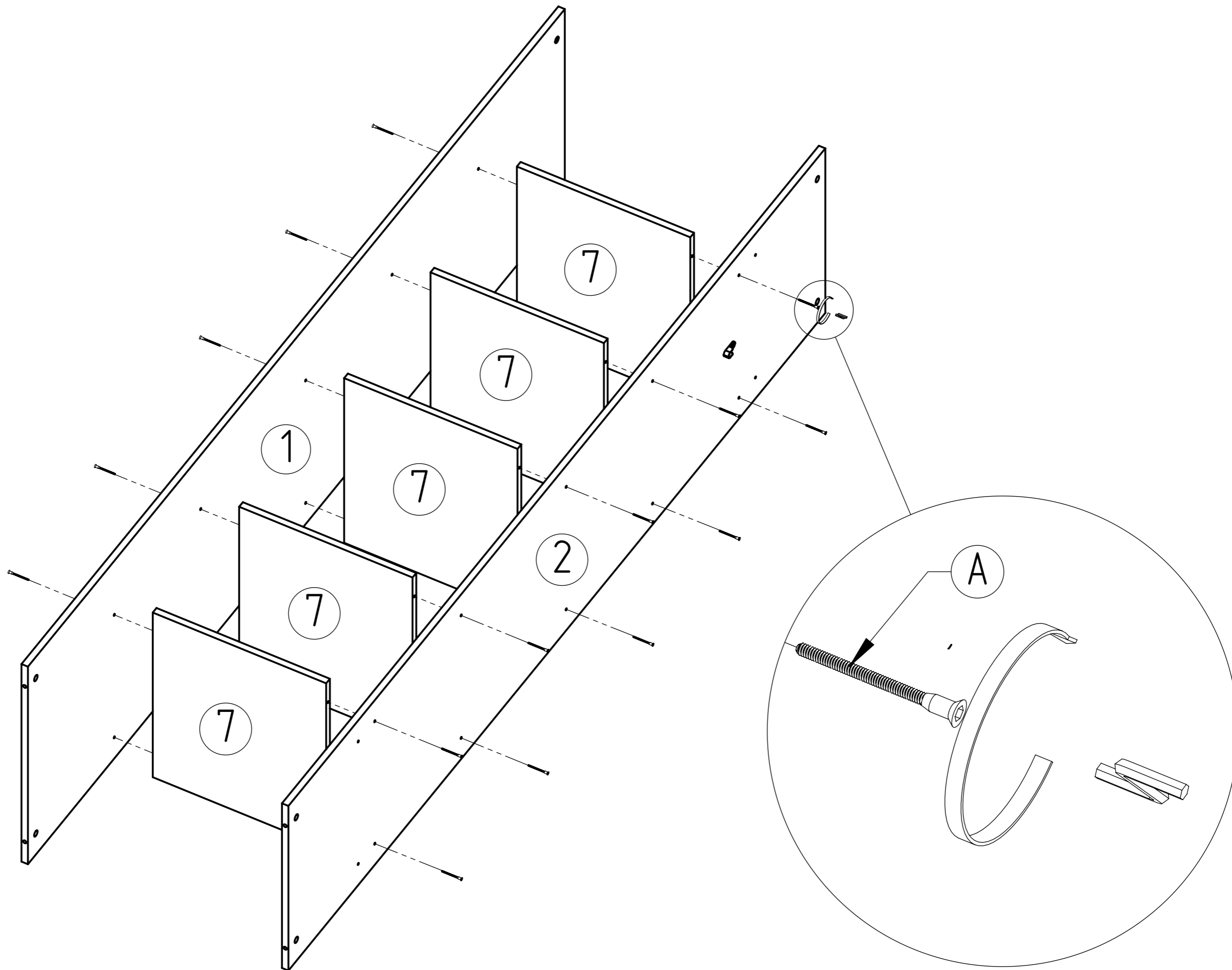


X2

X2

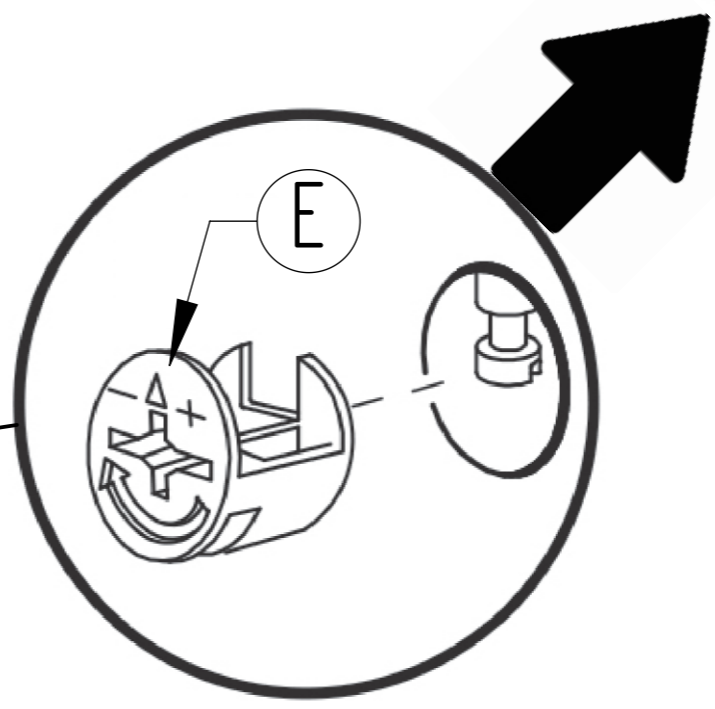
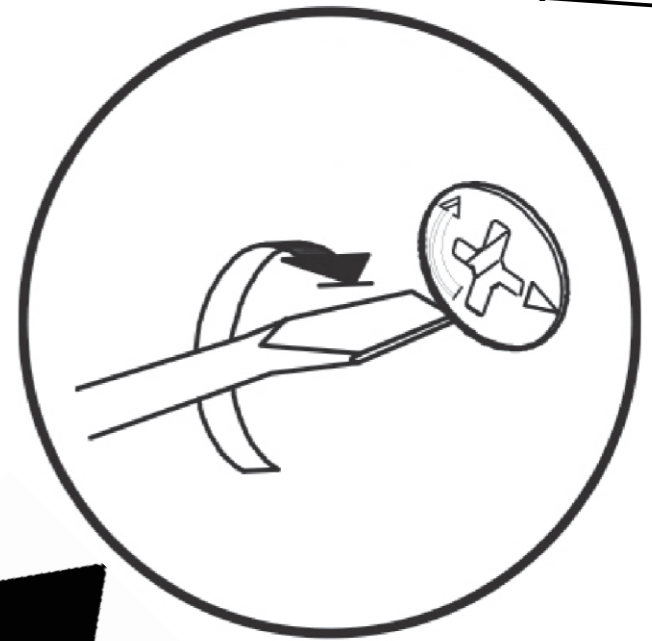
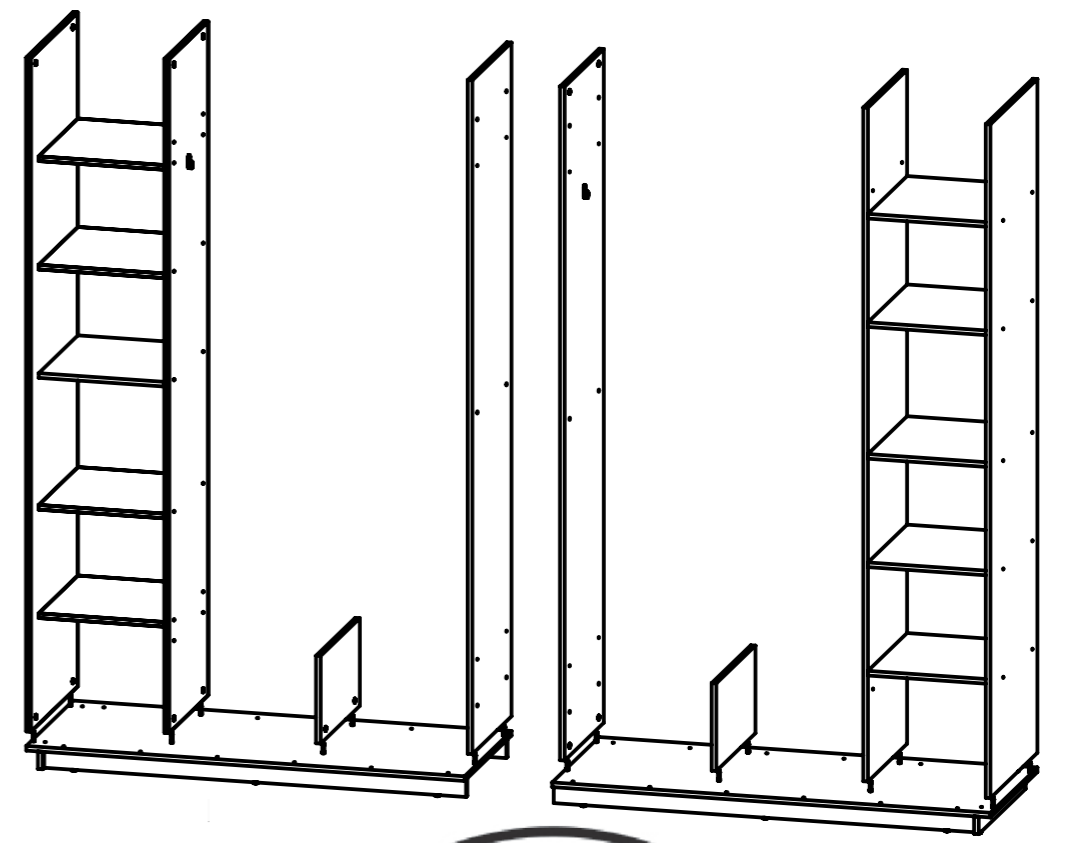
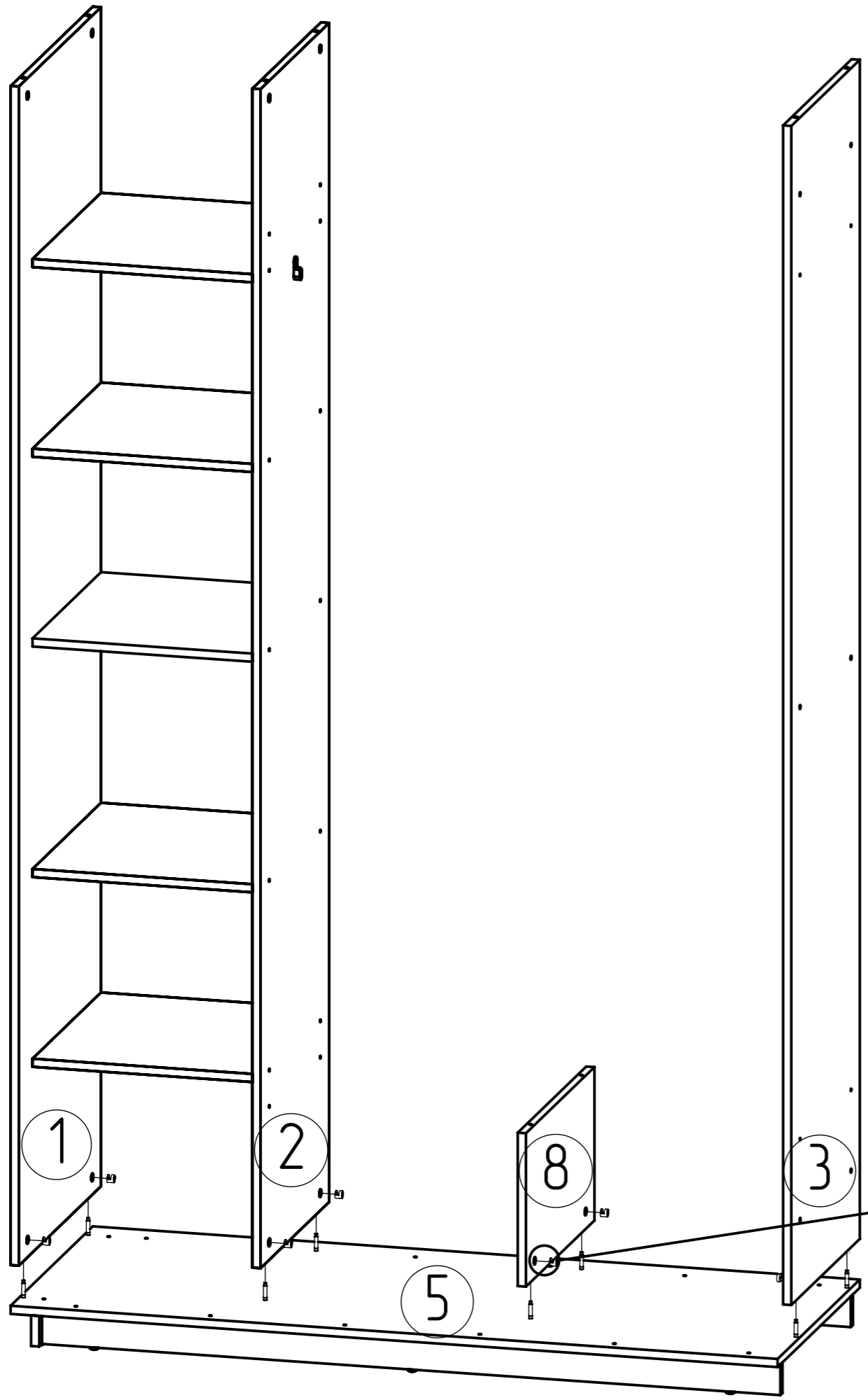
4

X2





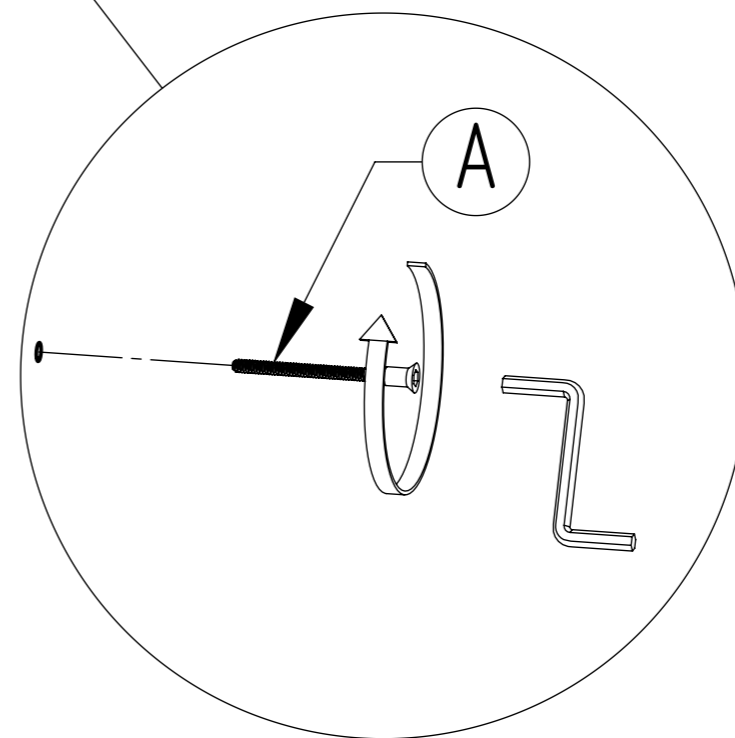
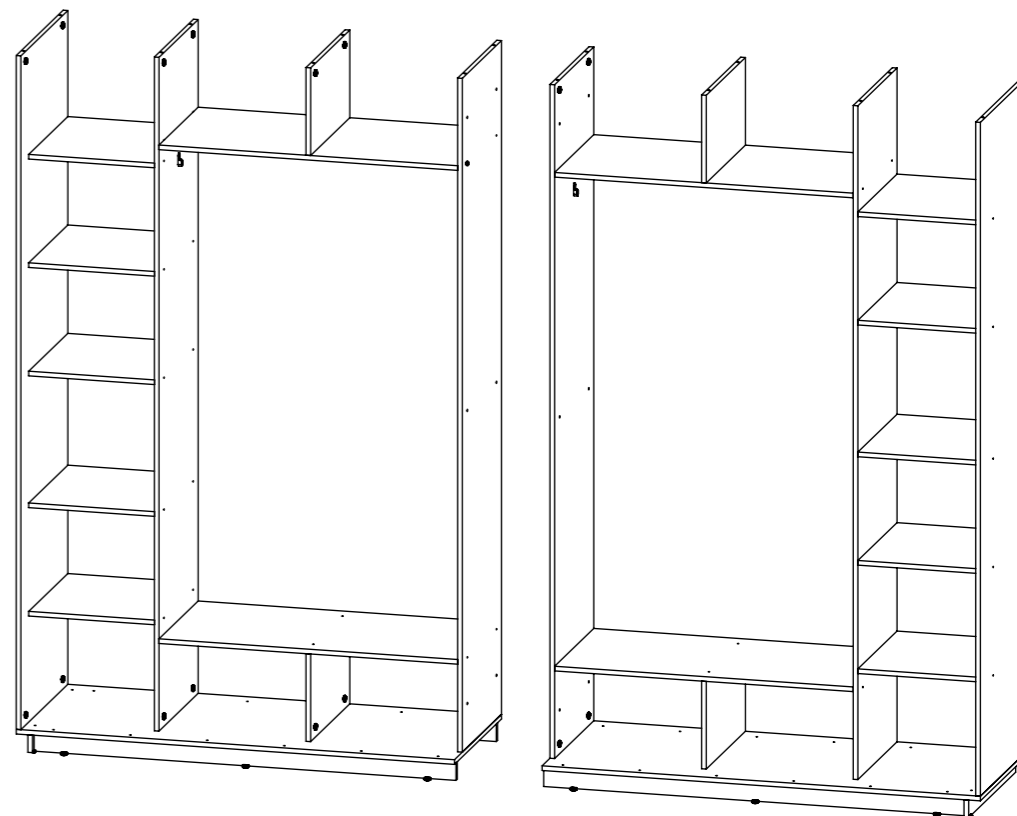
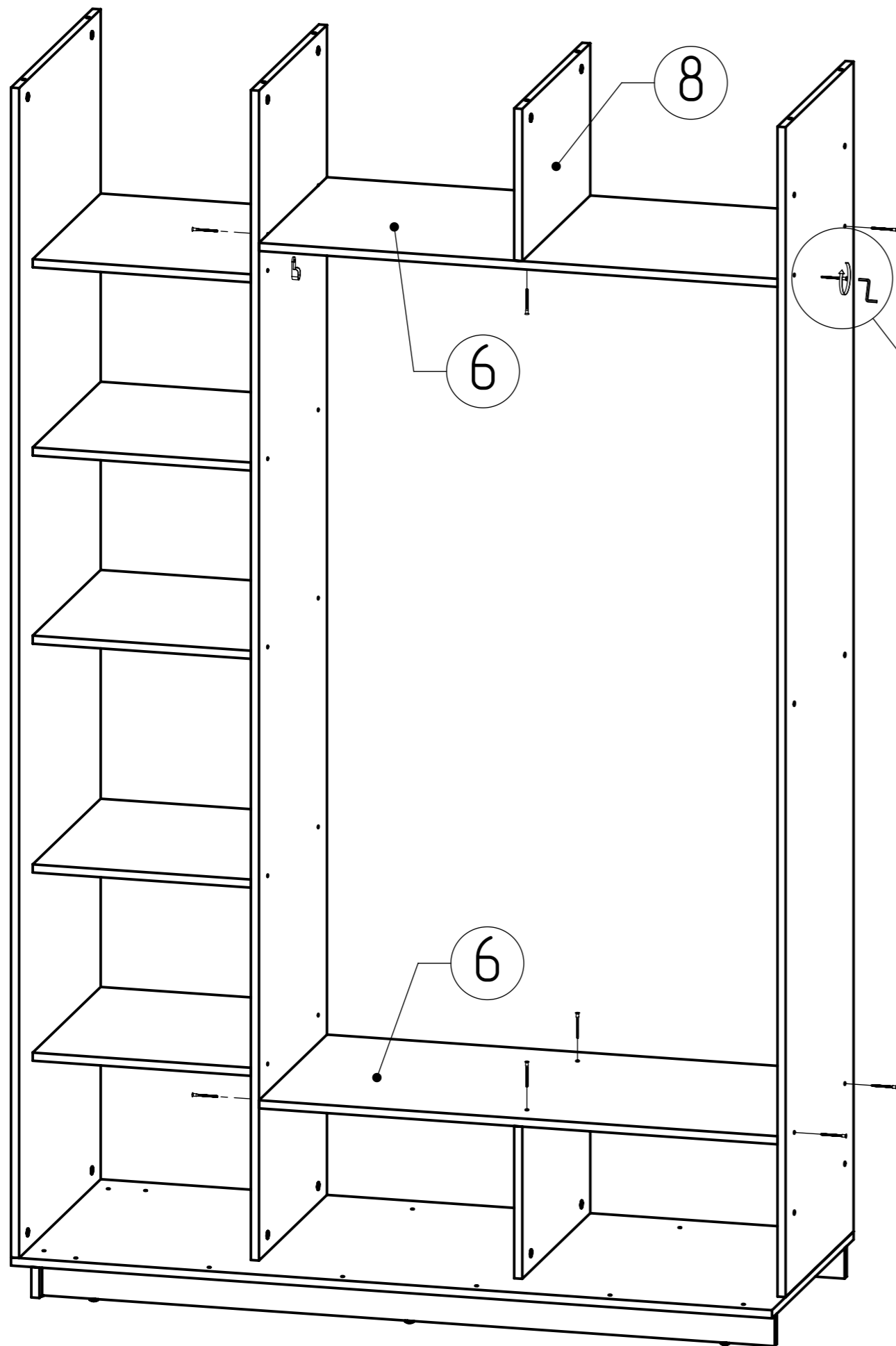
5



X2

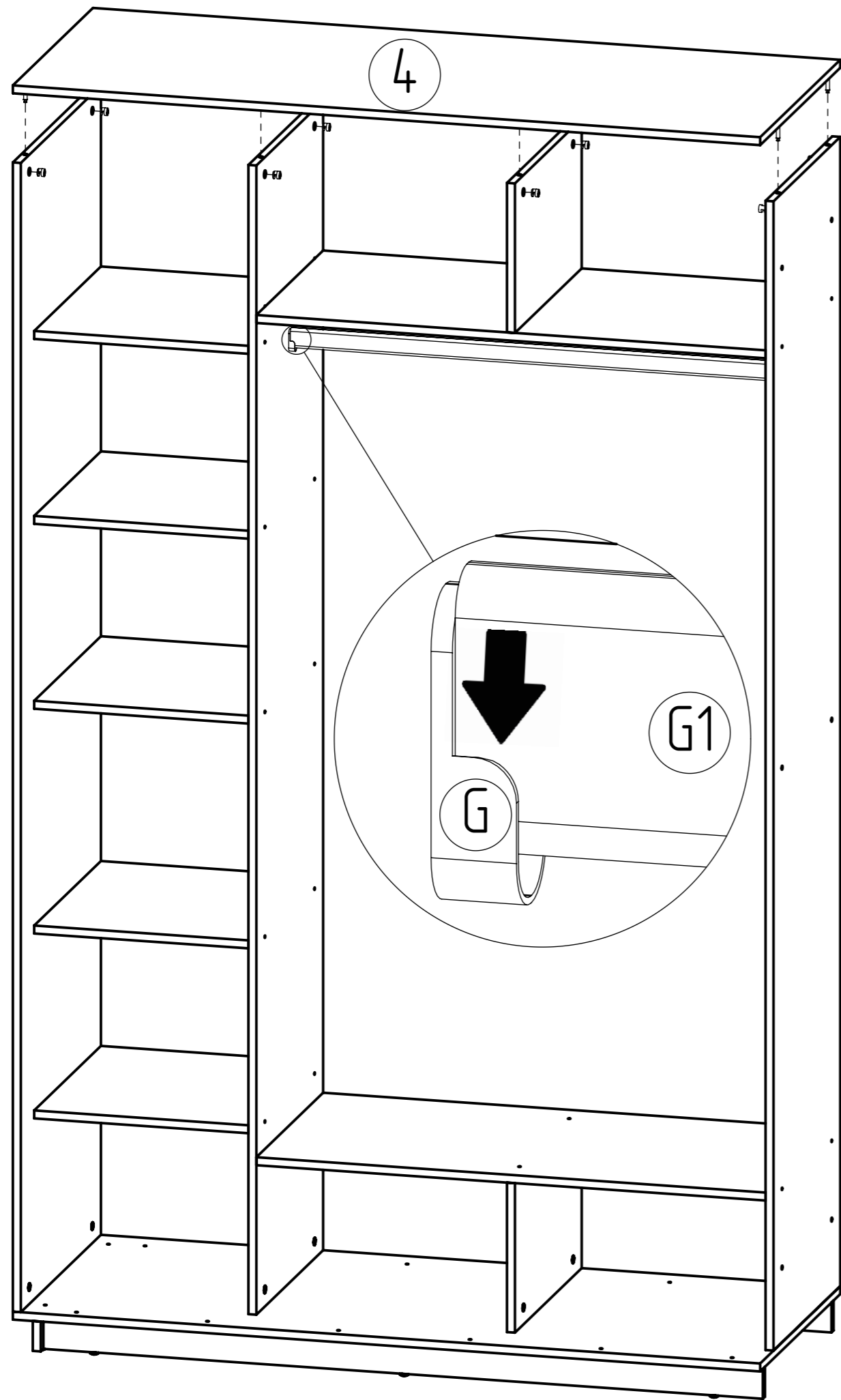


6

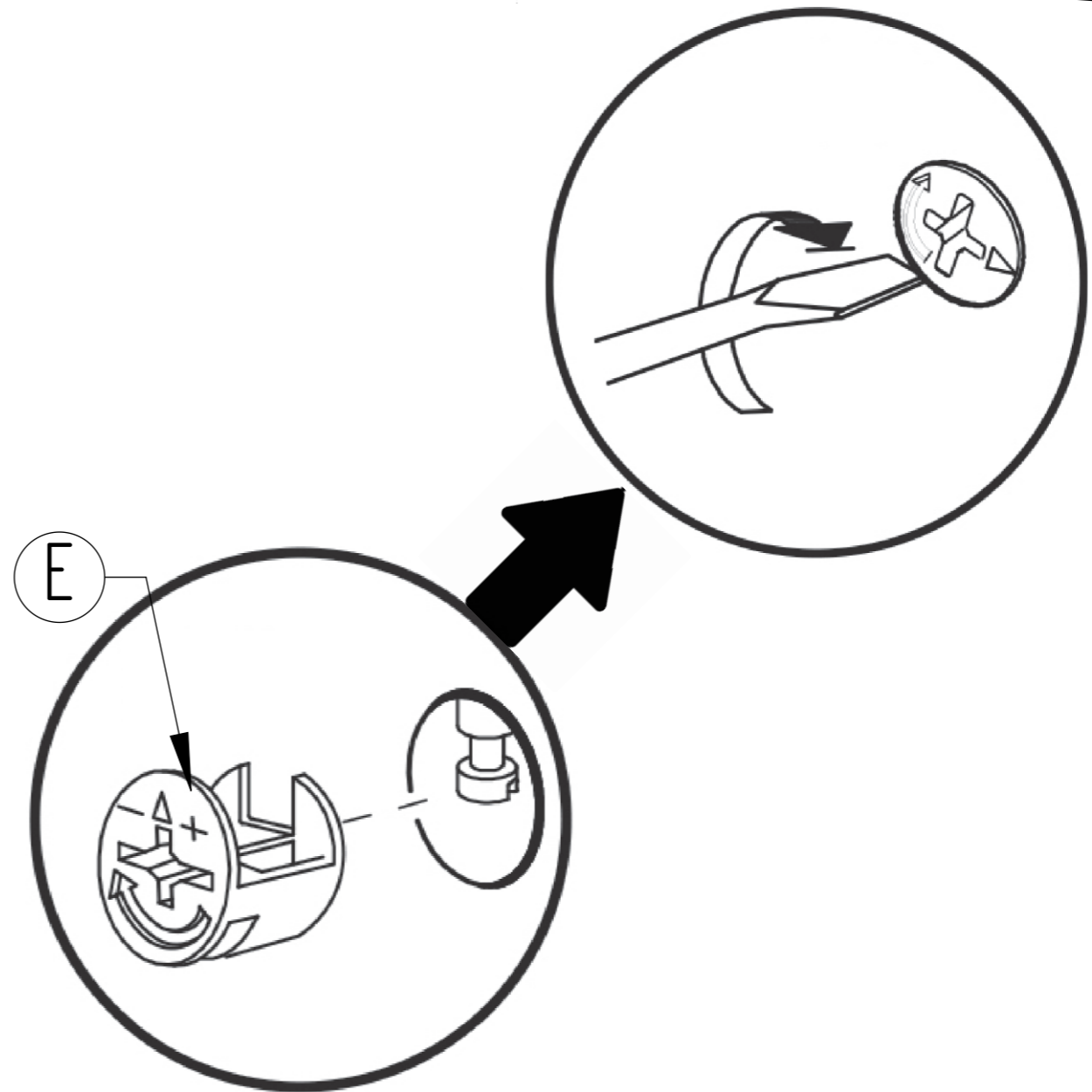
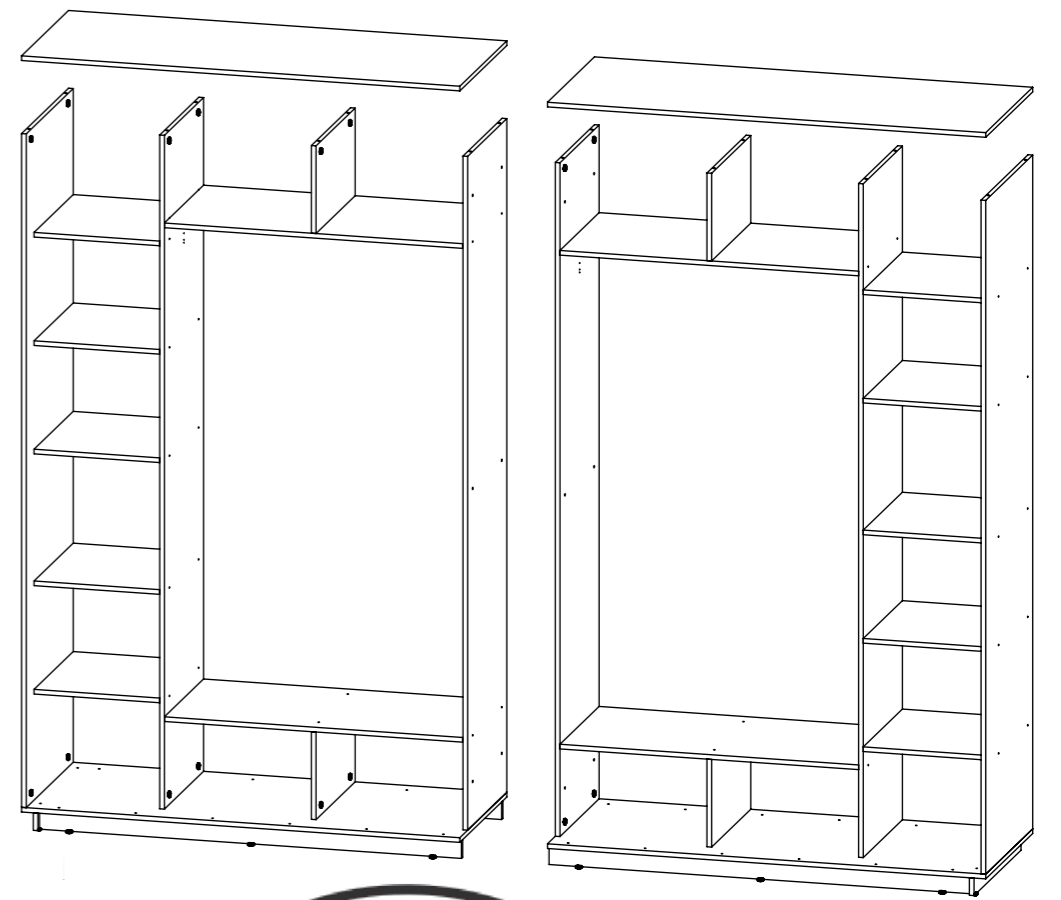


X2

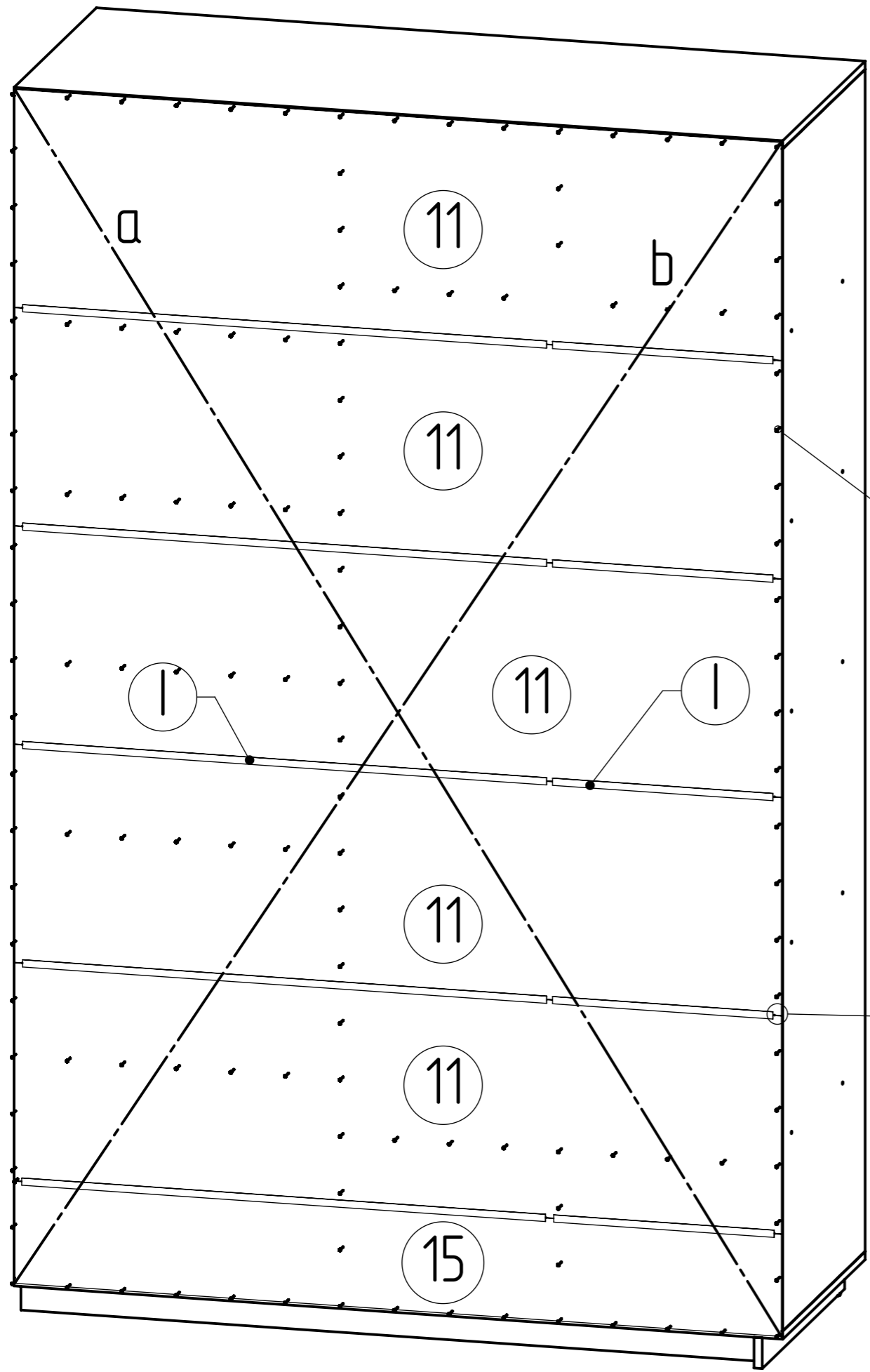
7



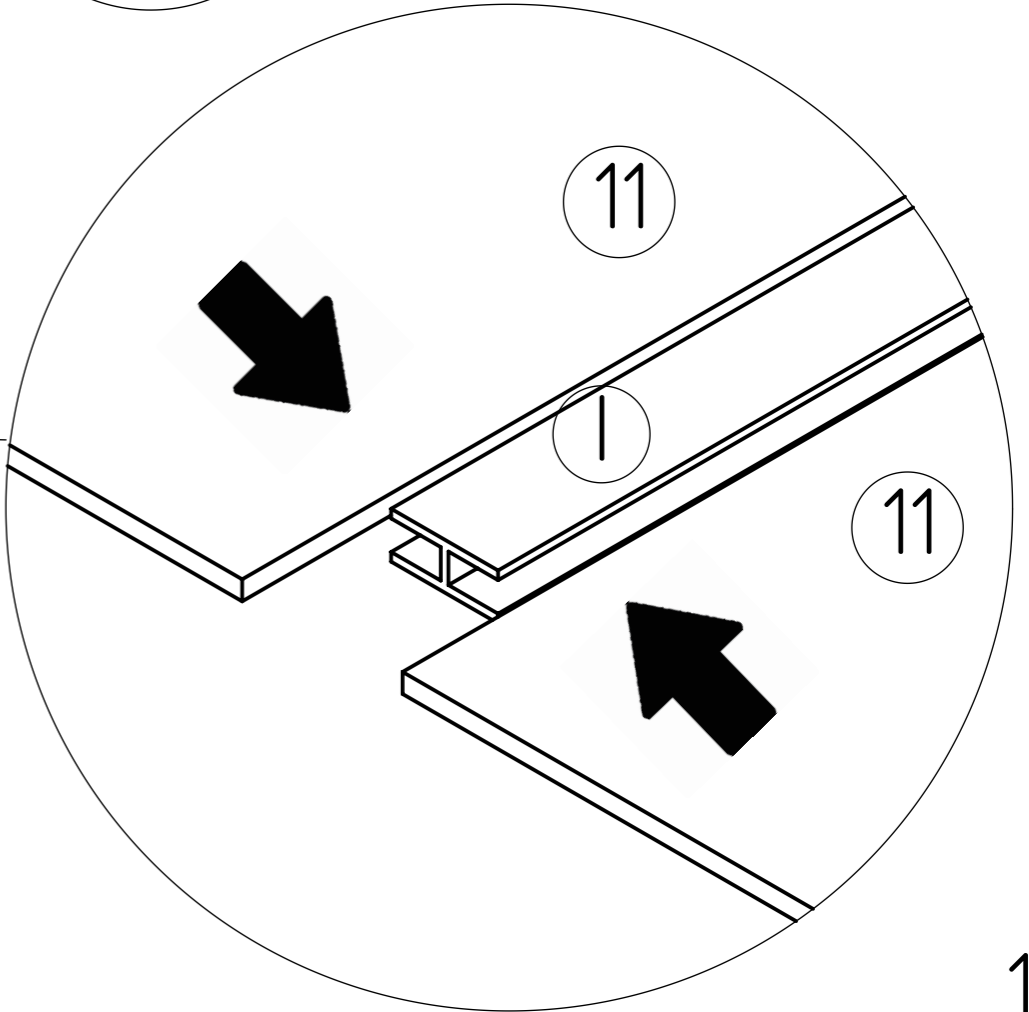
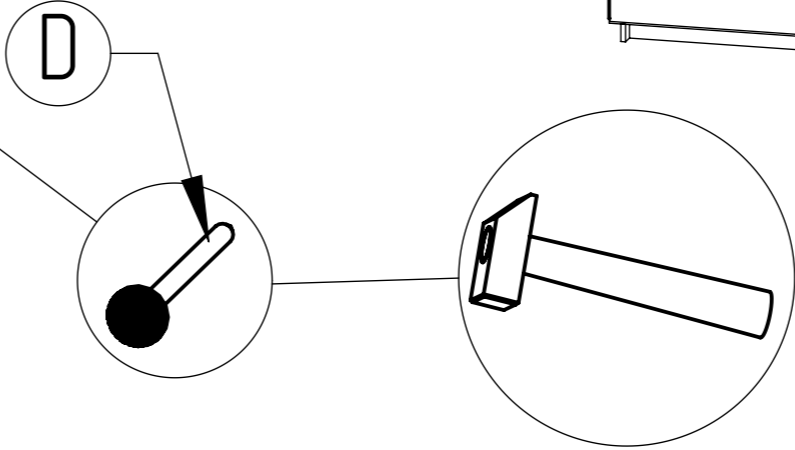
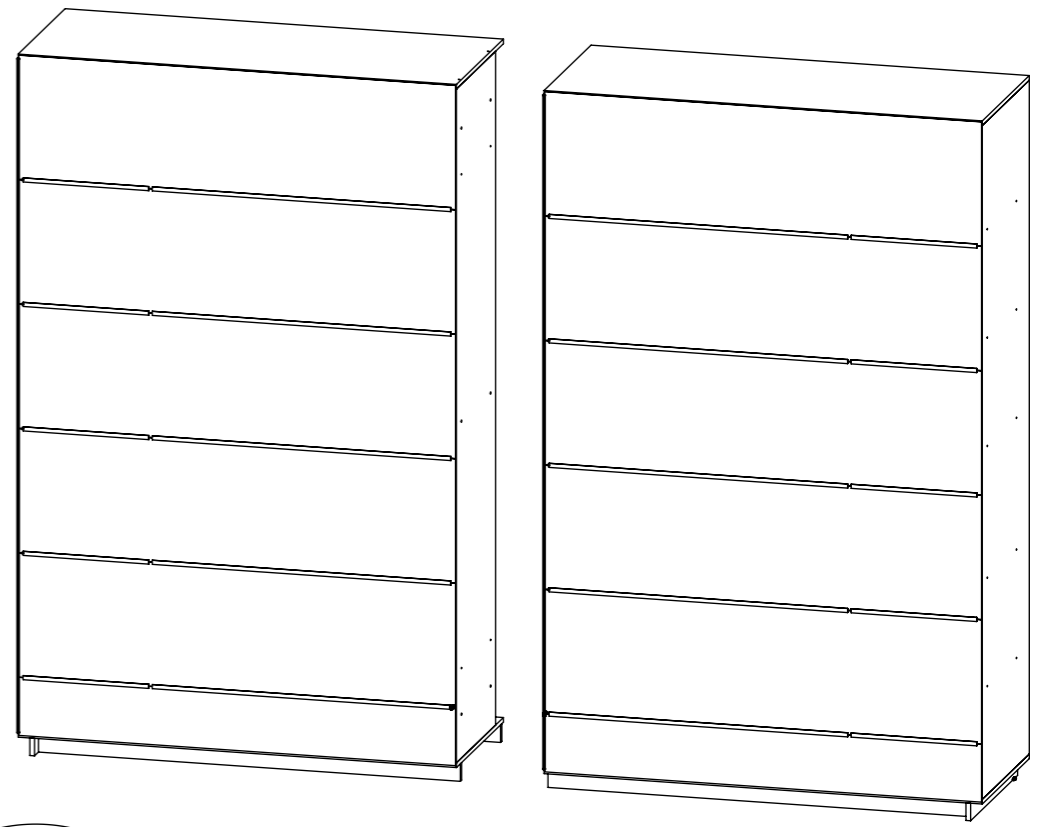
X2



8

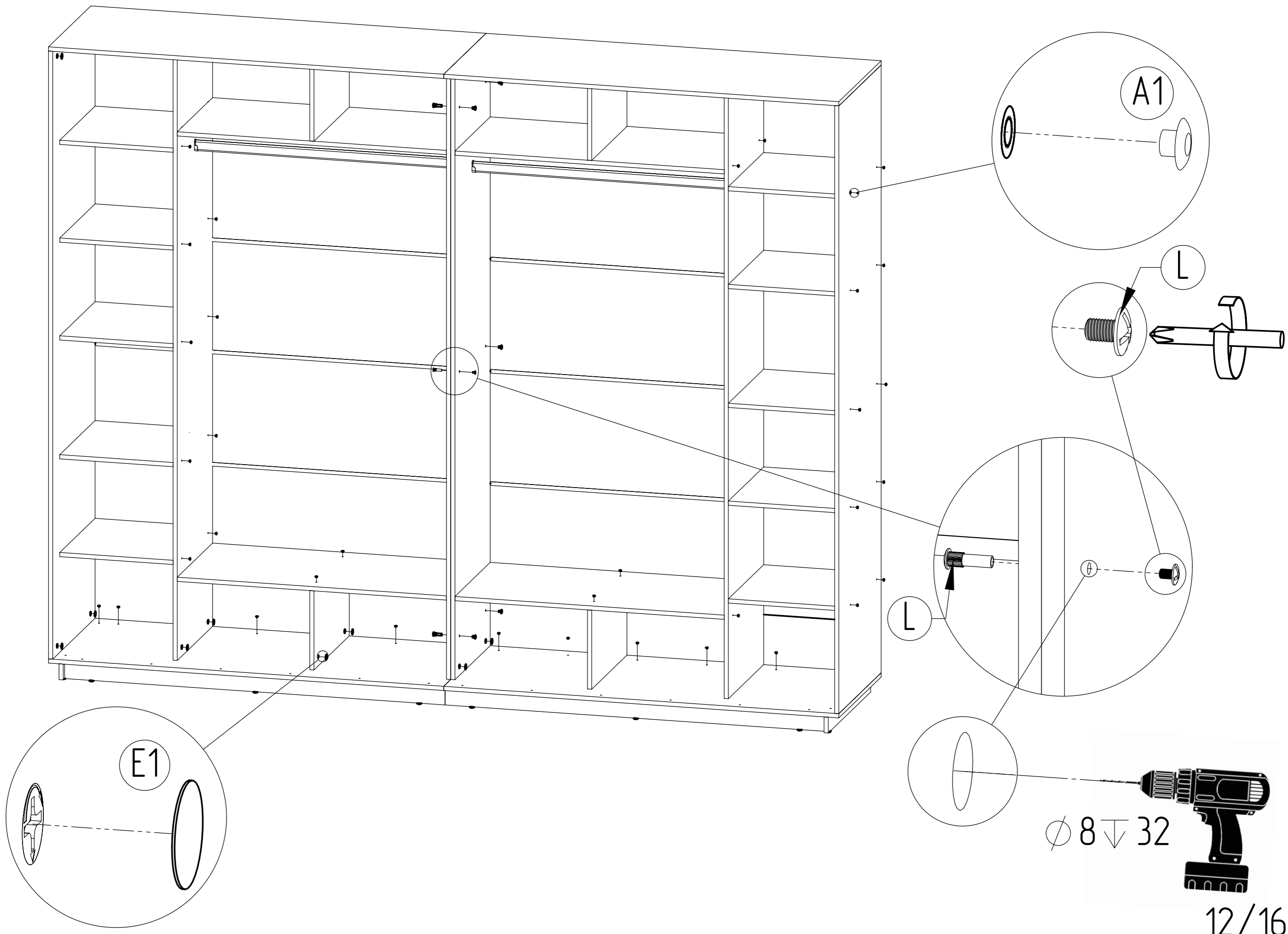


$a = b$



X2

9



A1

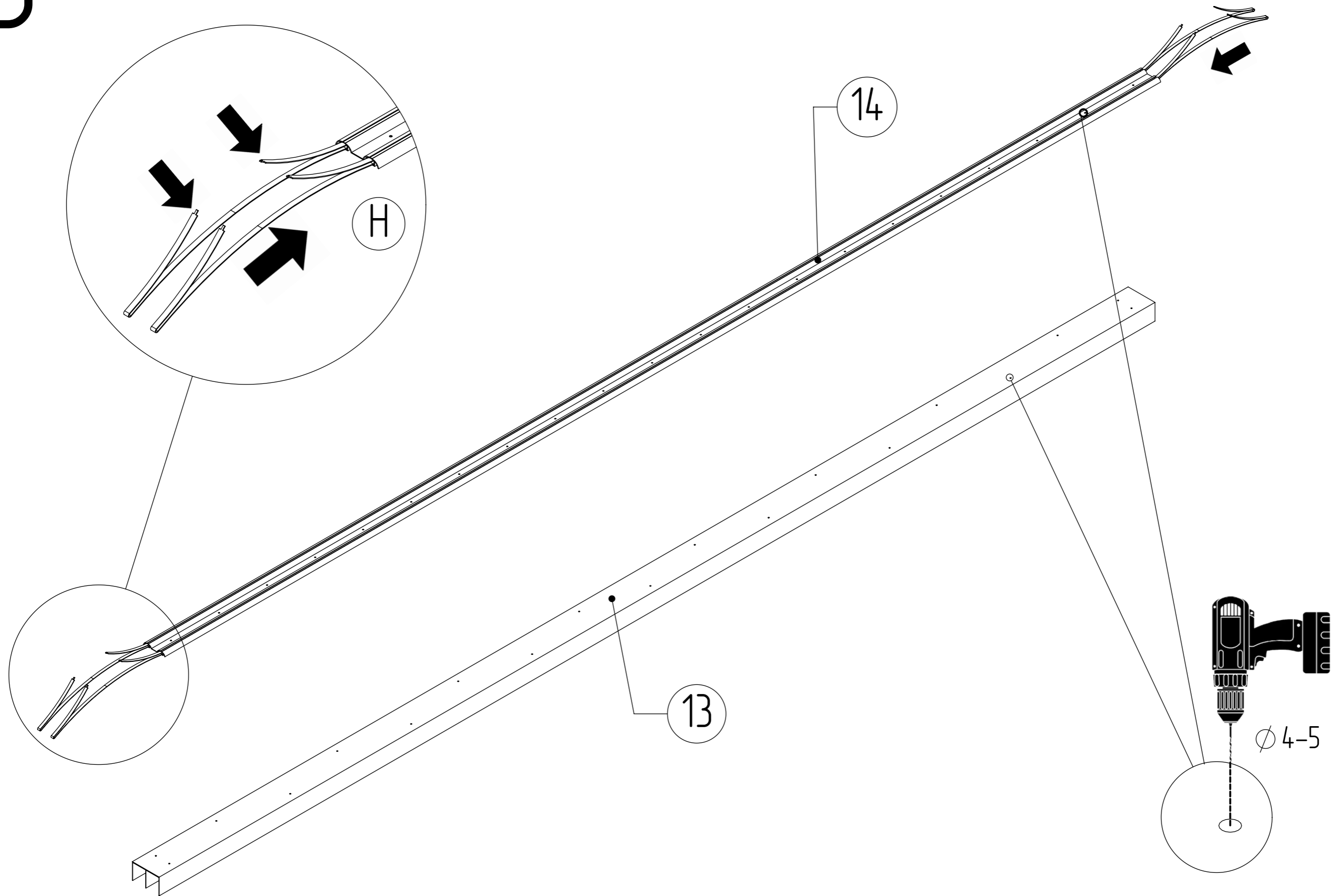
L

L

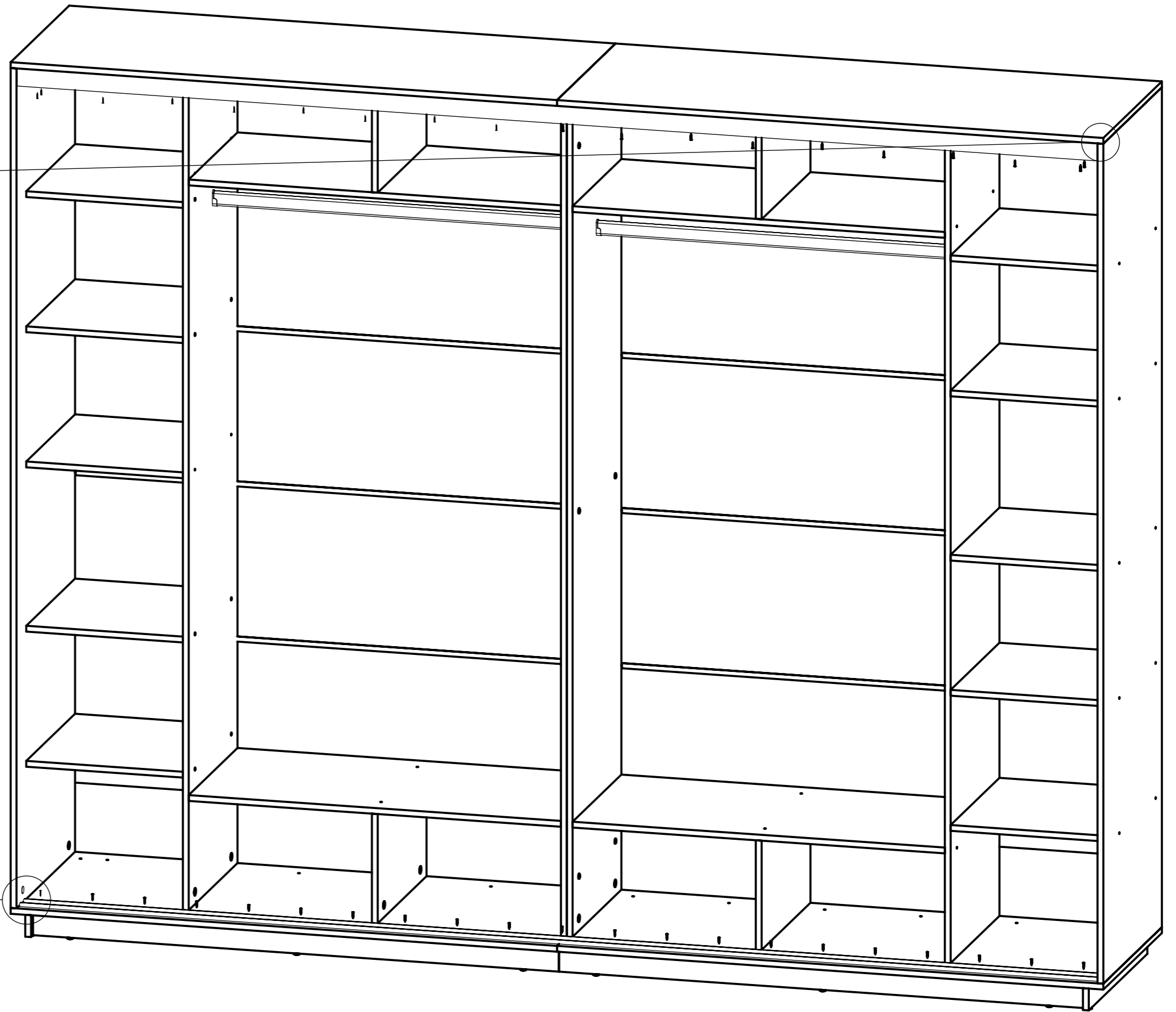
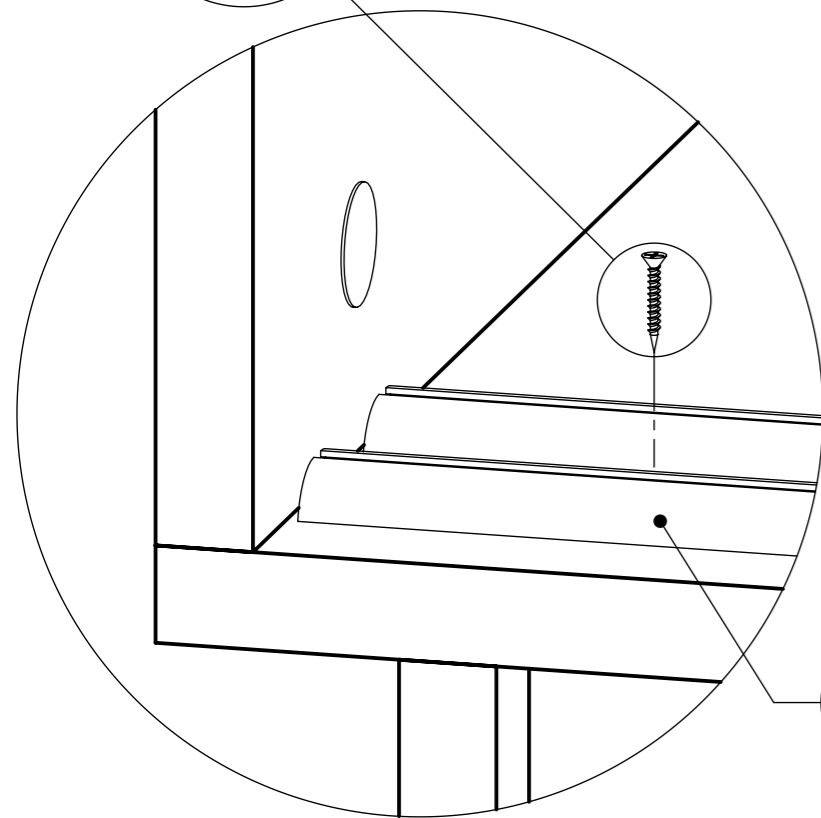
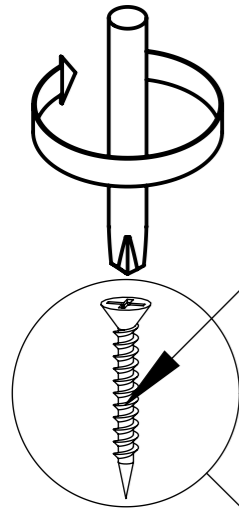
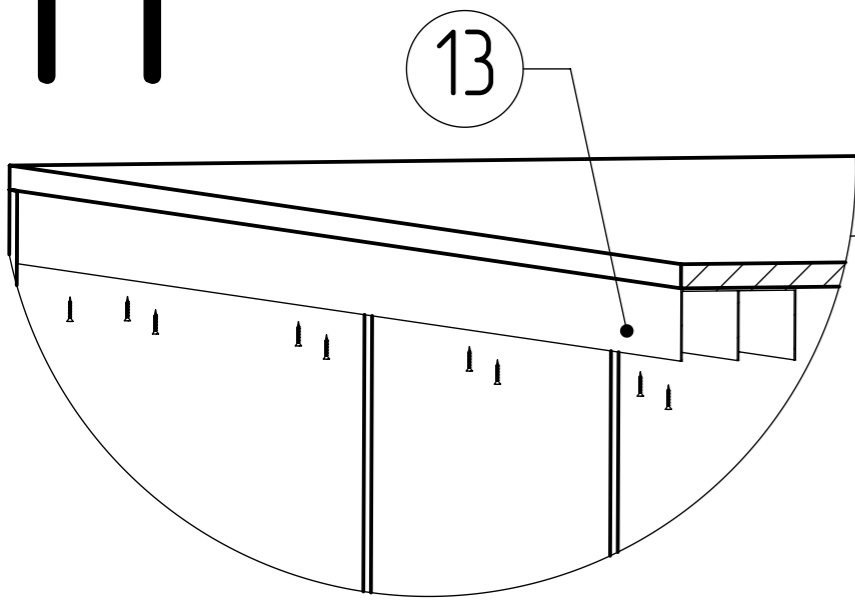
E1

$\varnothing 8 \nabla 32$

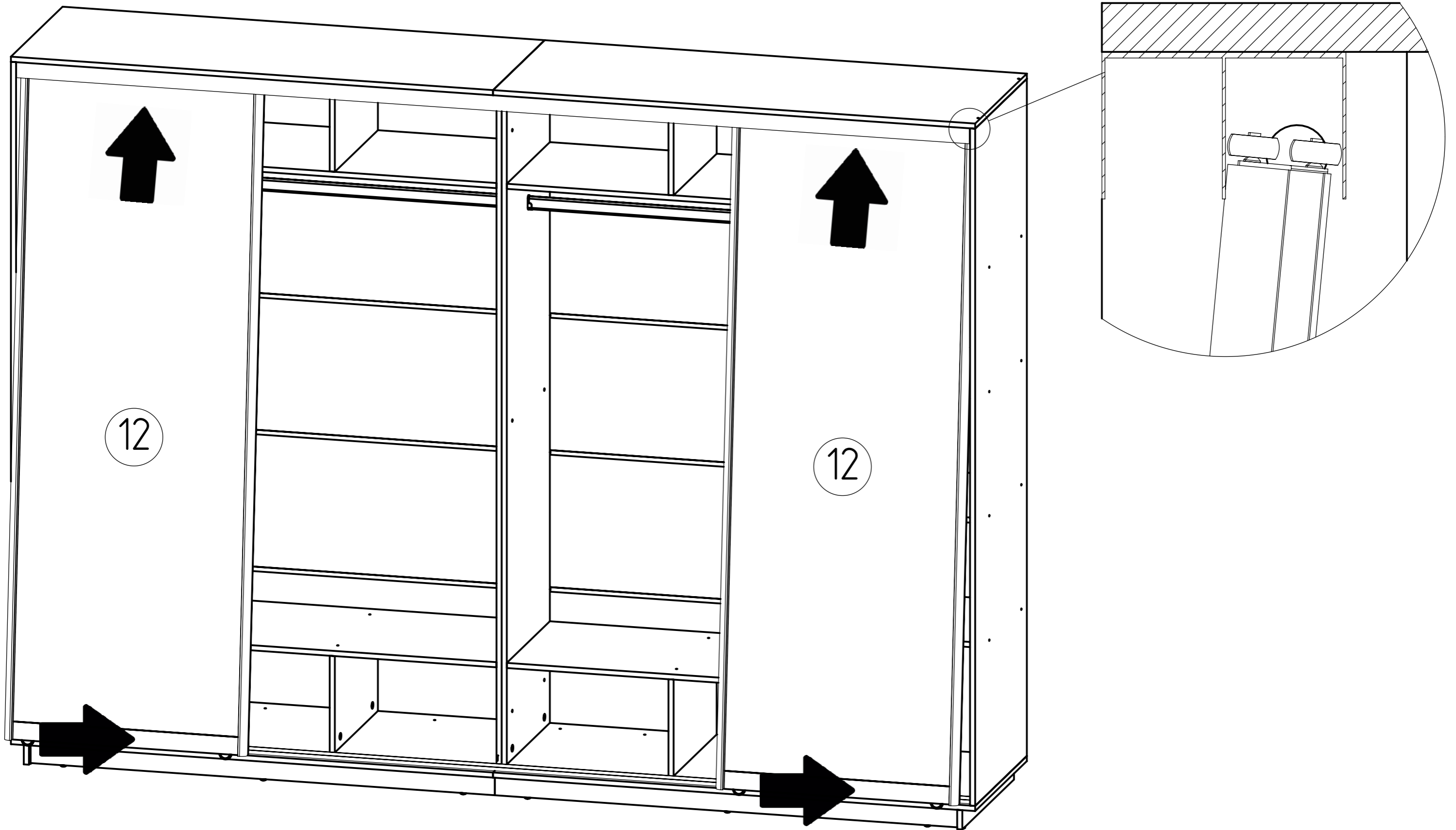
10



# 11



12





13

