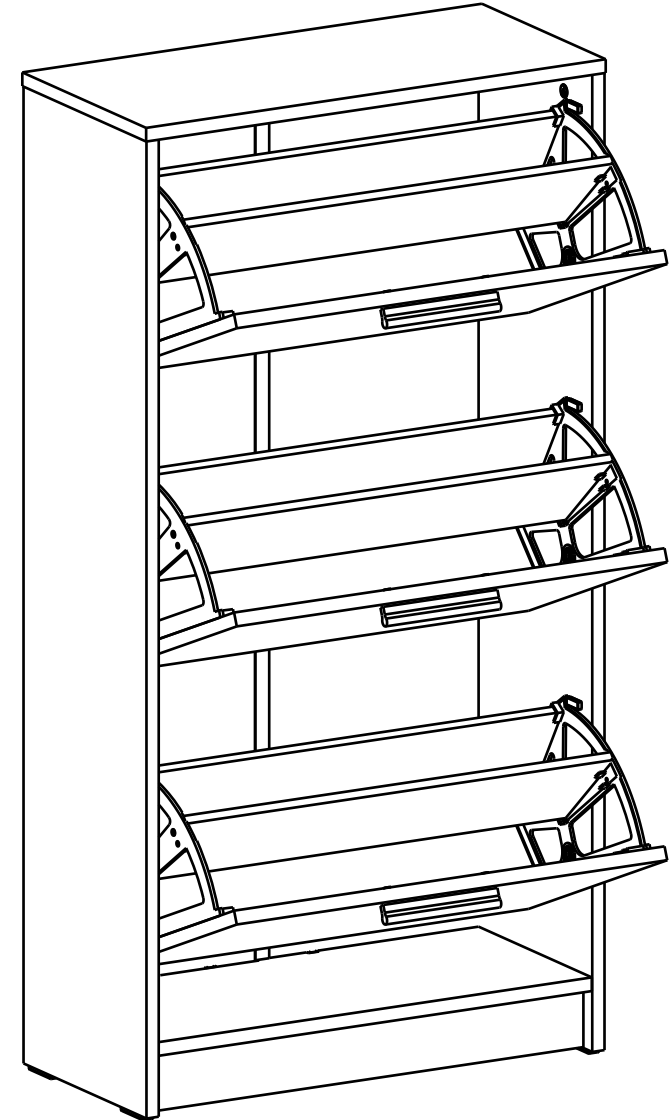
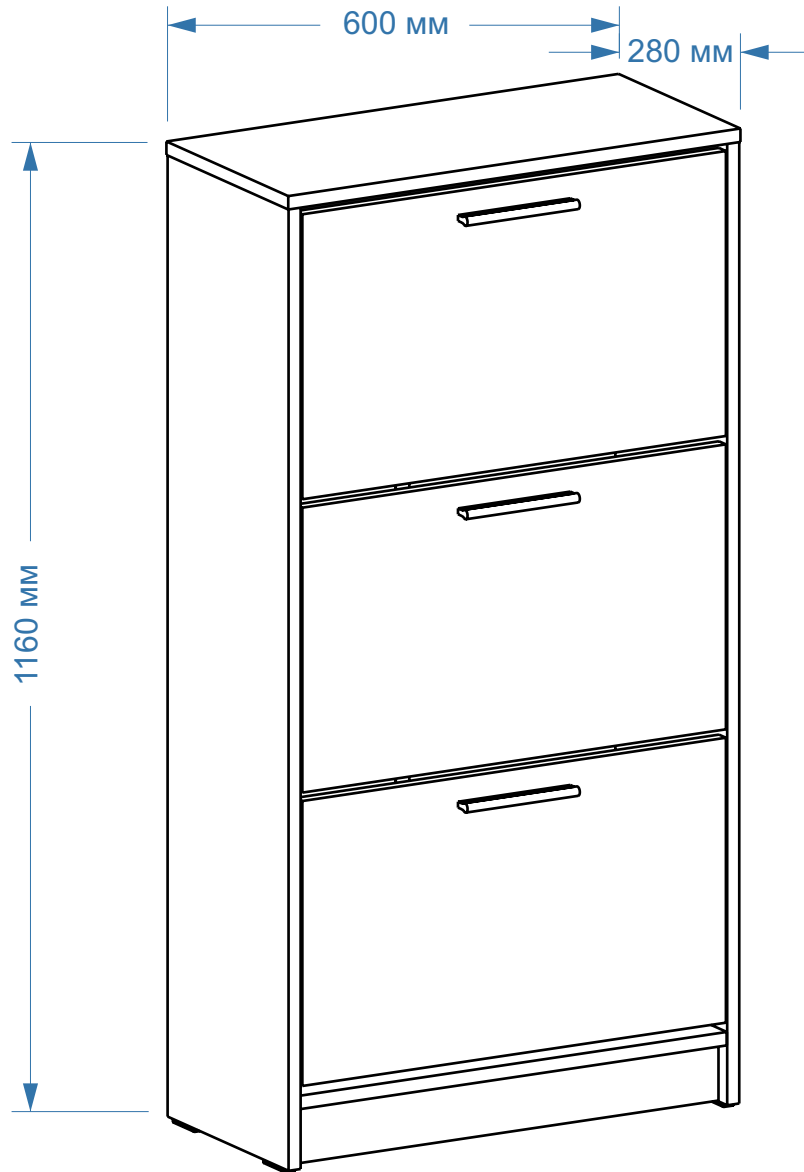
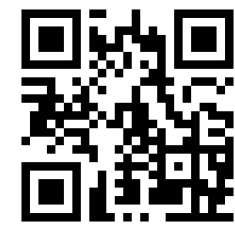
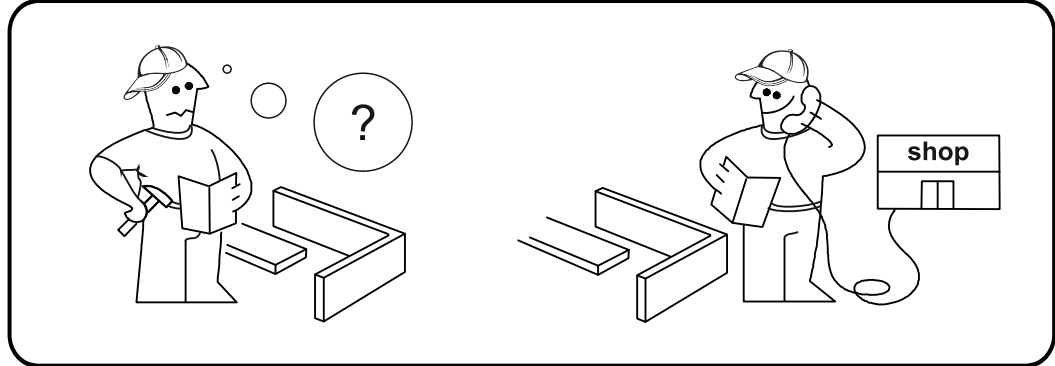
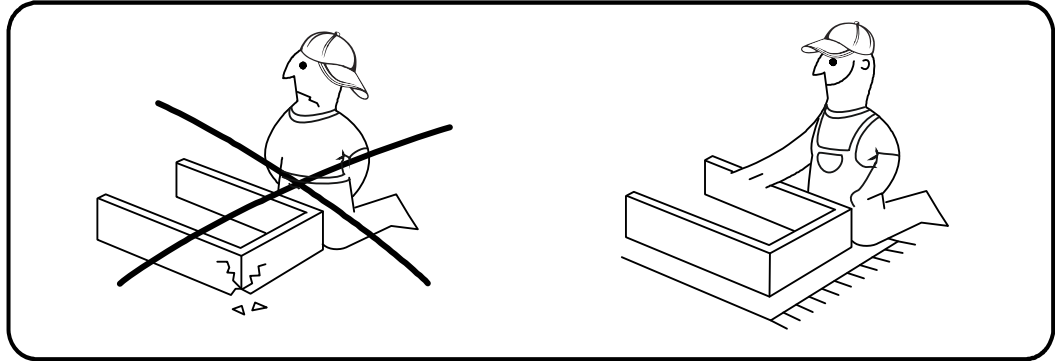
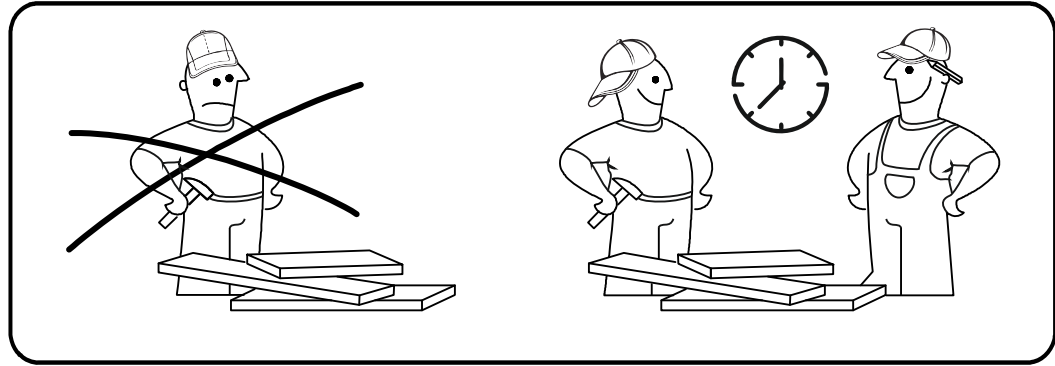
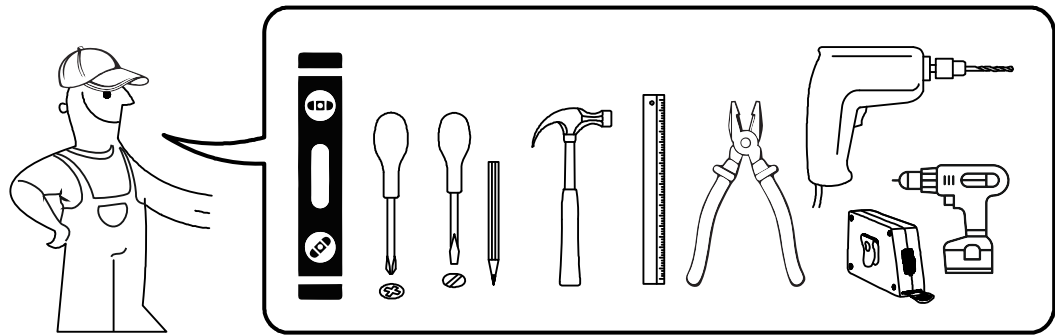
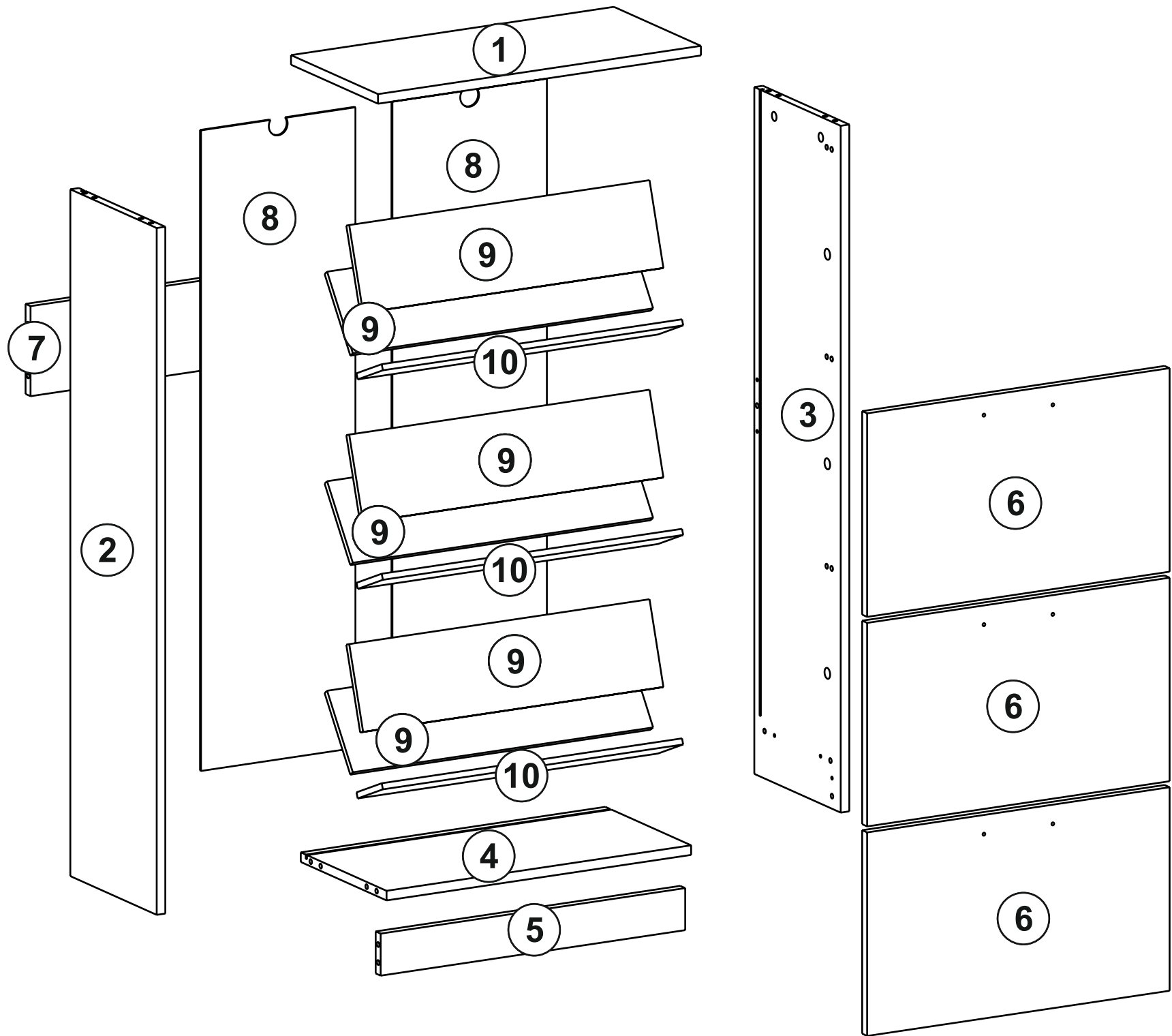
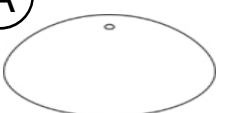


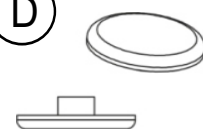

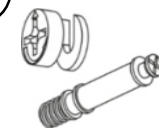

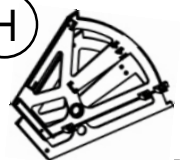
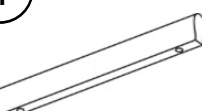



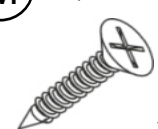
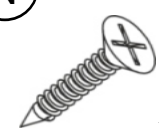




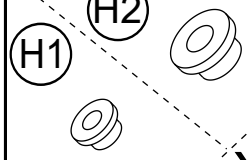
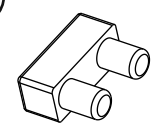



Тумба для взуття Golf Cabinet for shoes Golf 1160x600x280



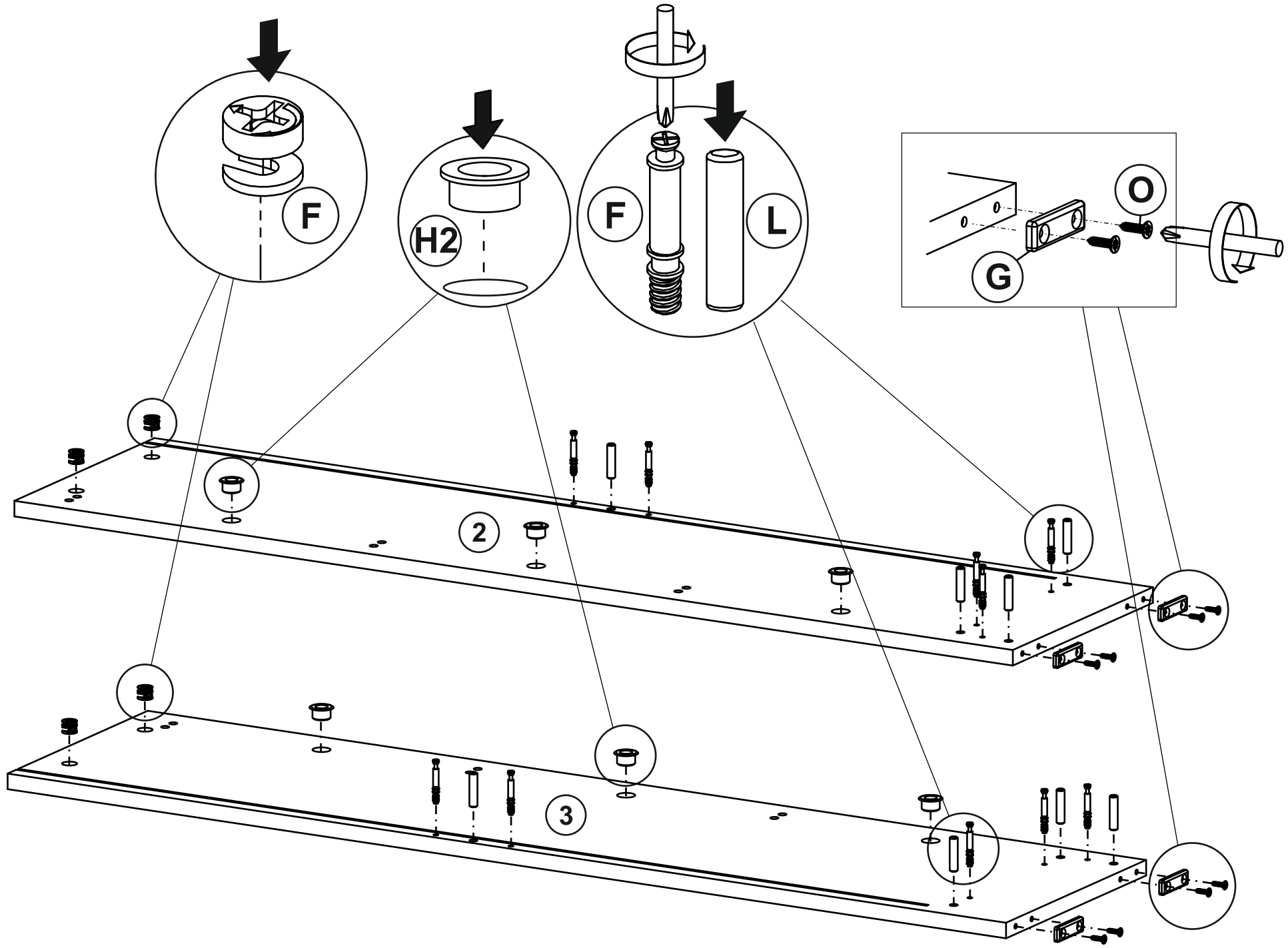




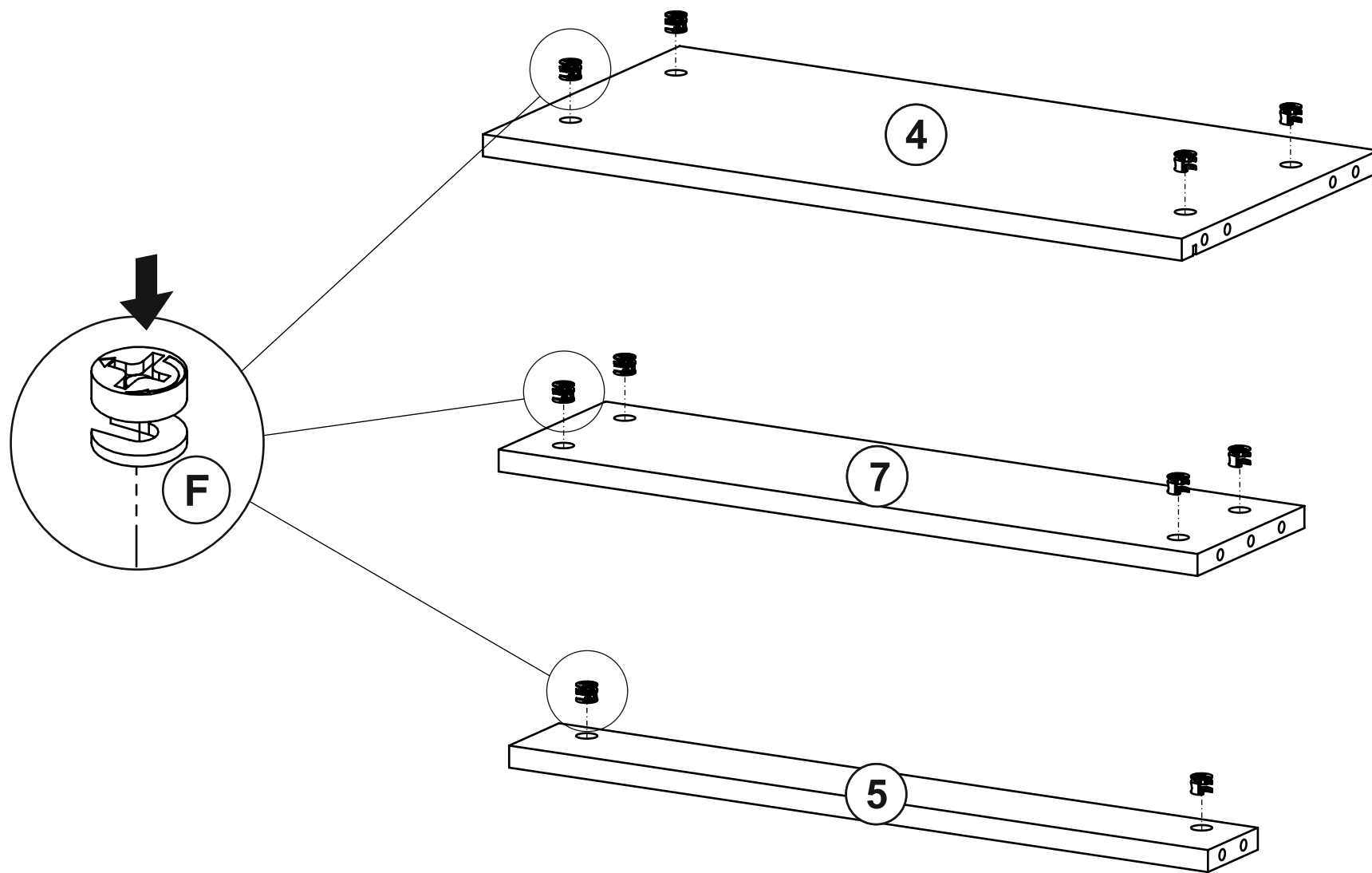
| | | | |
|--|--|--|--|
| A  x12 | B 4x20  x6 | C 8*80  x2 | D  x14 |
| E  x2 | F  x14 | G  x4 | H  x3 |
| I  x3 | J  x20 | K  x6 | L 8x35  x12 |
| M 3,5x16  x22 | N 4x16  x18 | O 4x20  x8 | P 4*30  x6 |
| Q L - 528  x2 | R  x1 | H1 H2  x6 | H3  x6 |

| No | A x B x C | x | Package |
|--|-------------|---|---------|
| 1 | 600x280x16 | 1 | 1 |
| 2 | 1144x278x16 | 1 | 1 |
| 3 | 1144x278x16 | 1 | 1 |
| 4 | 566x276x16 | 1 | 1 |
| 5 | 70x566x16 | 1 | 1 |
| 6 | 339x562x16 | 3 | 1 |
| 7 | 150x566x16 | 1 | 1 |
| 8 | 1067x287x3 | 2 | 1 |
| 9 | 558x143x10 | 6 | 1 |
| 10 | 558x88x10 | 3 | 1 |
|  | | 1 | 1 |

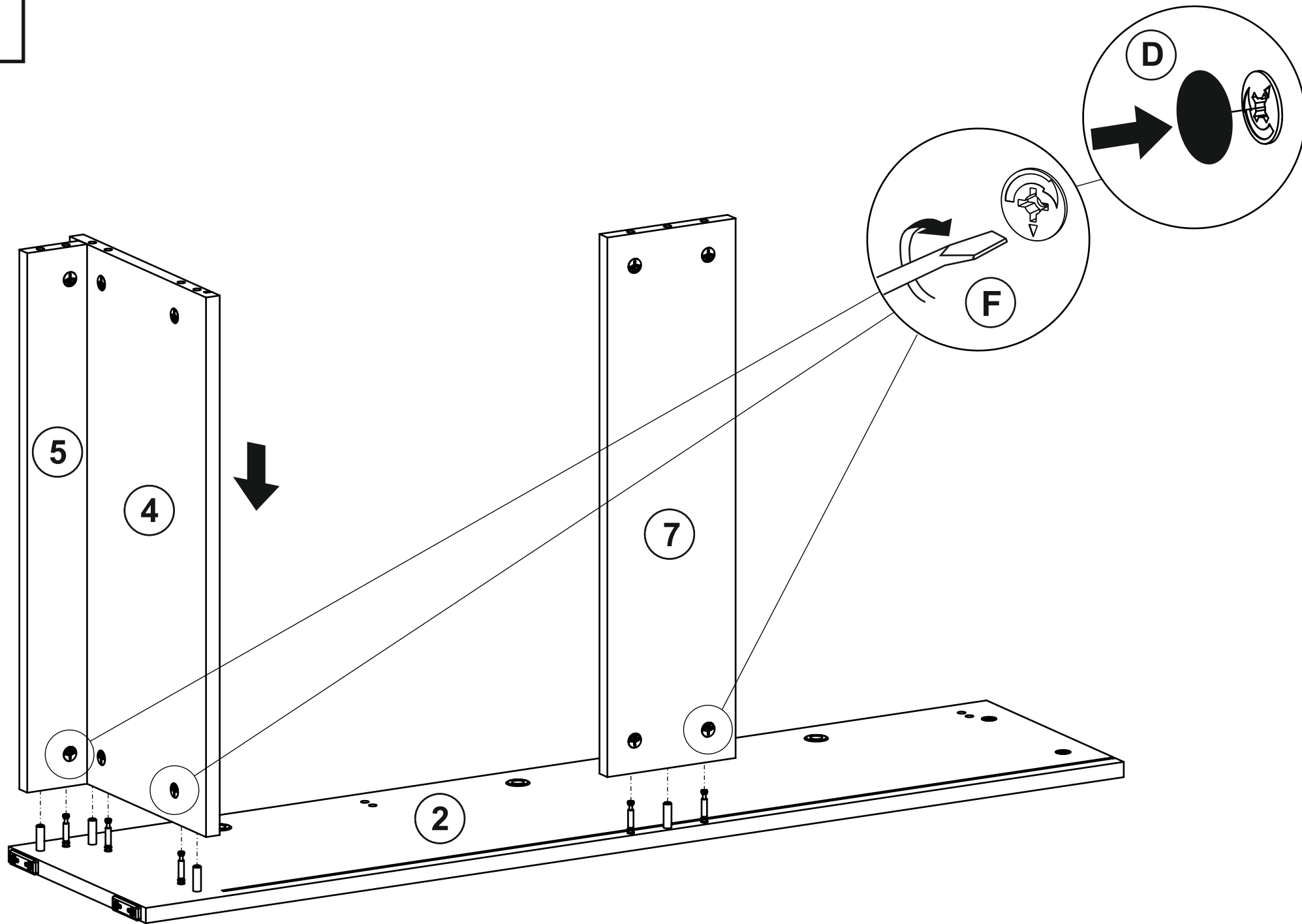
1



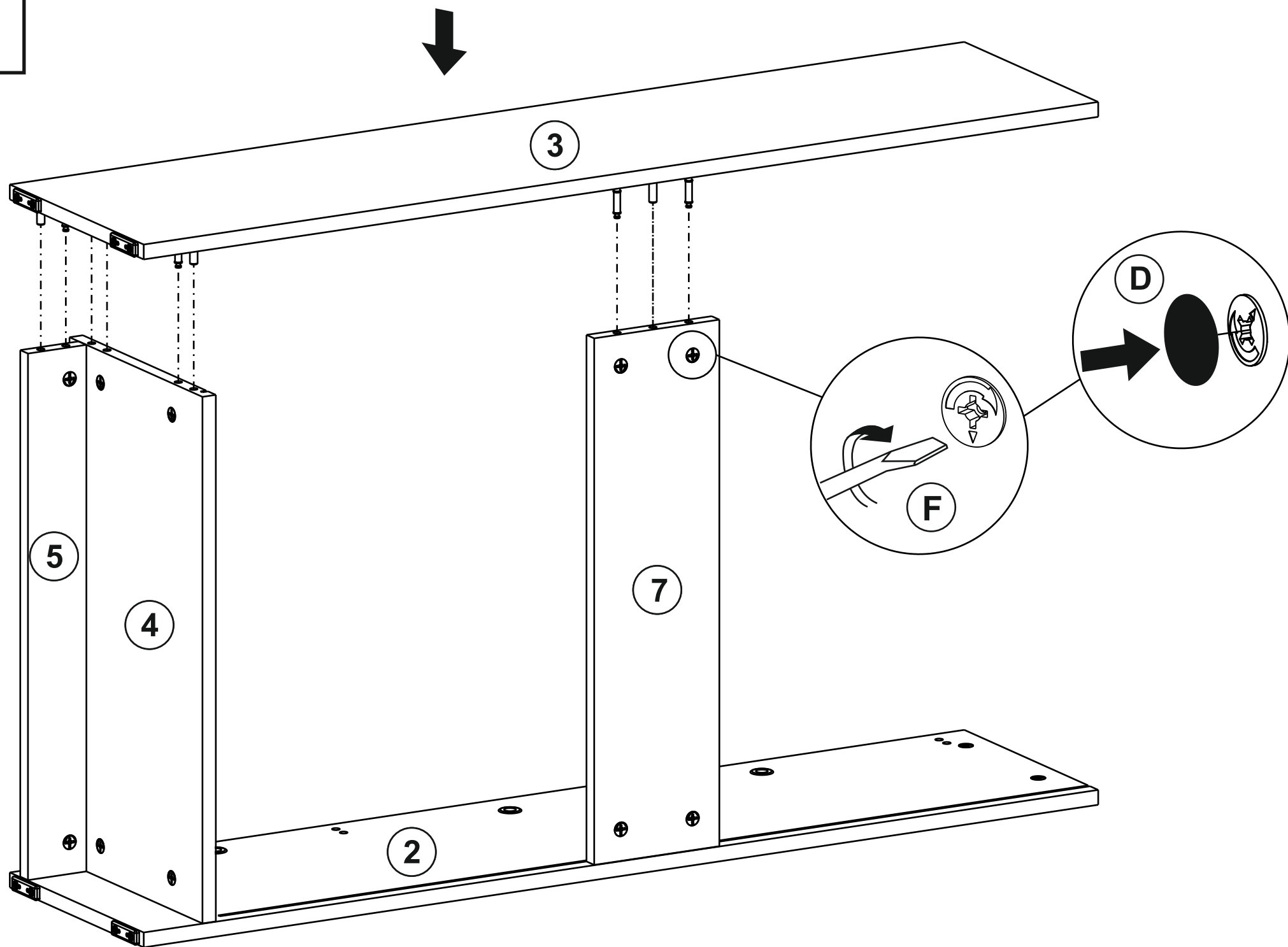
2



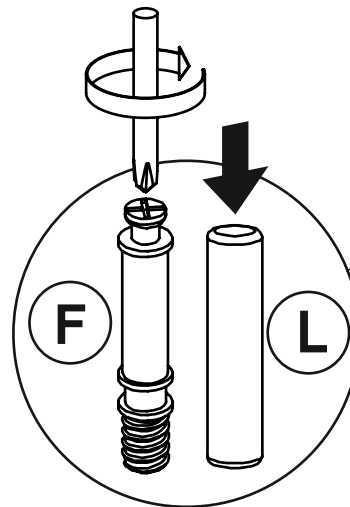
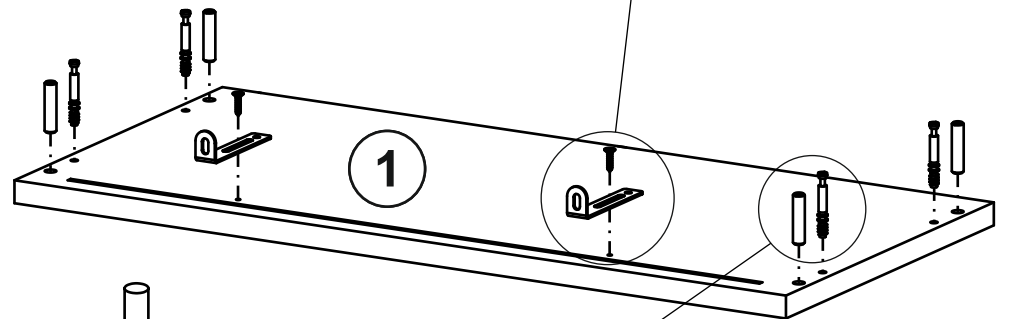
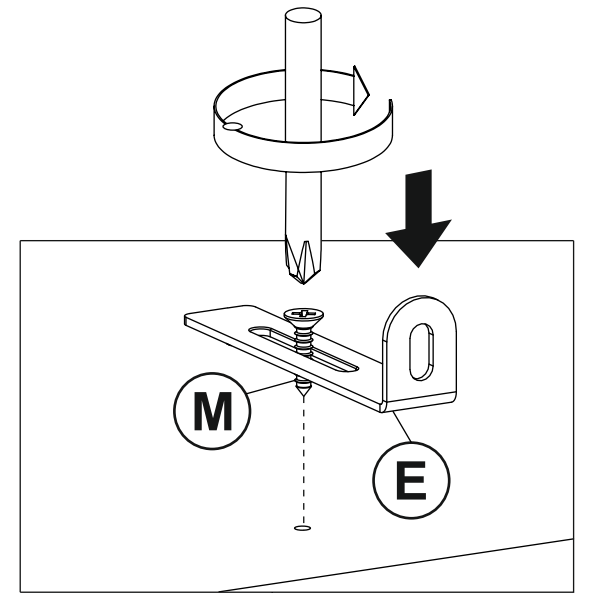
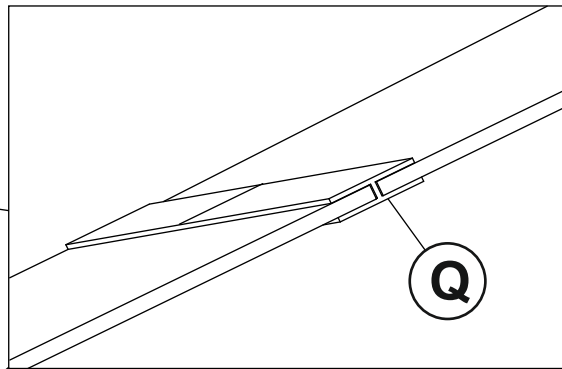
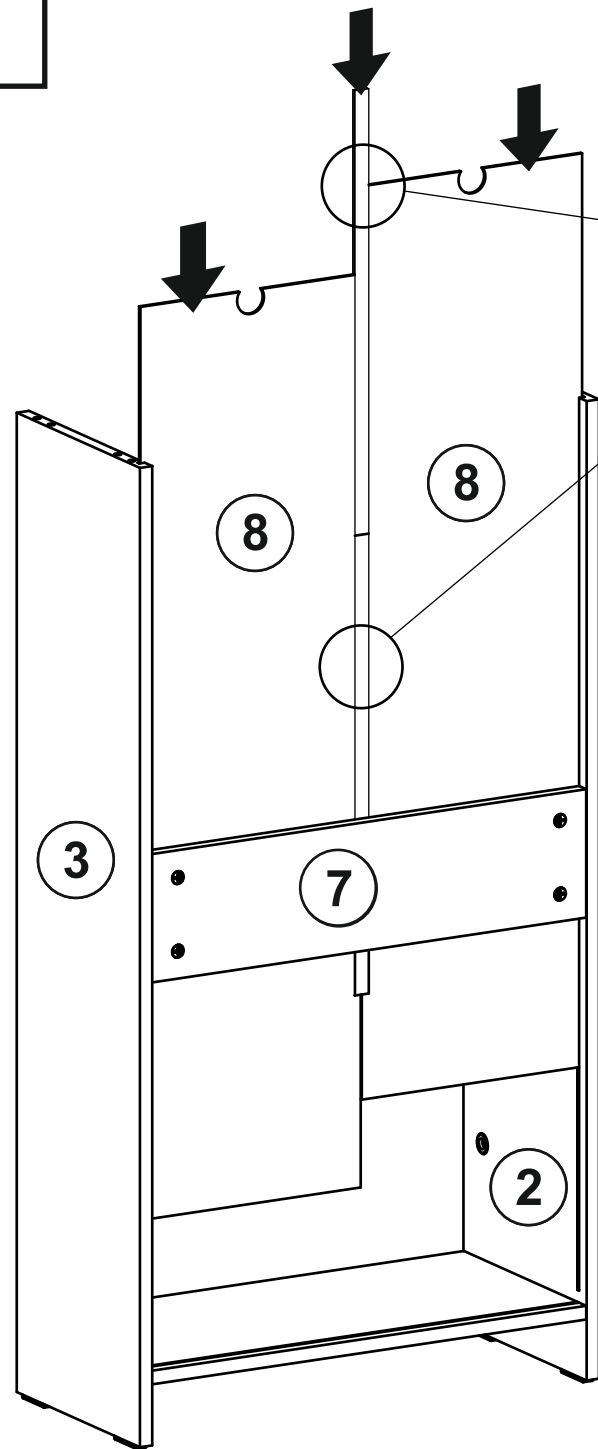
3



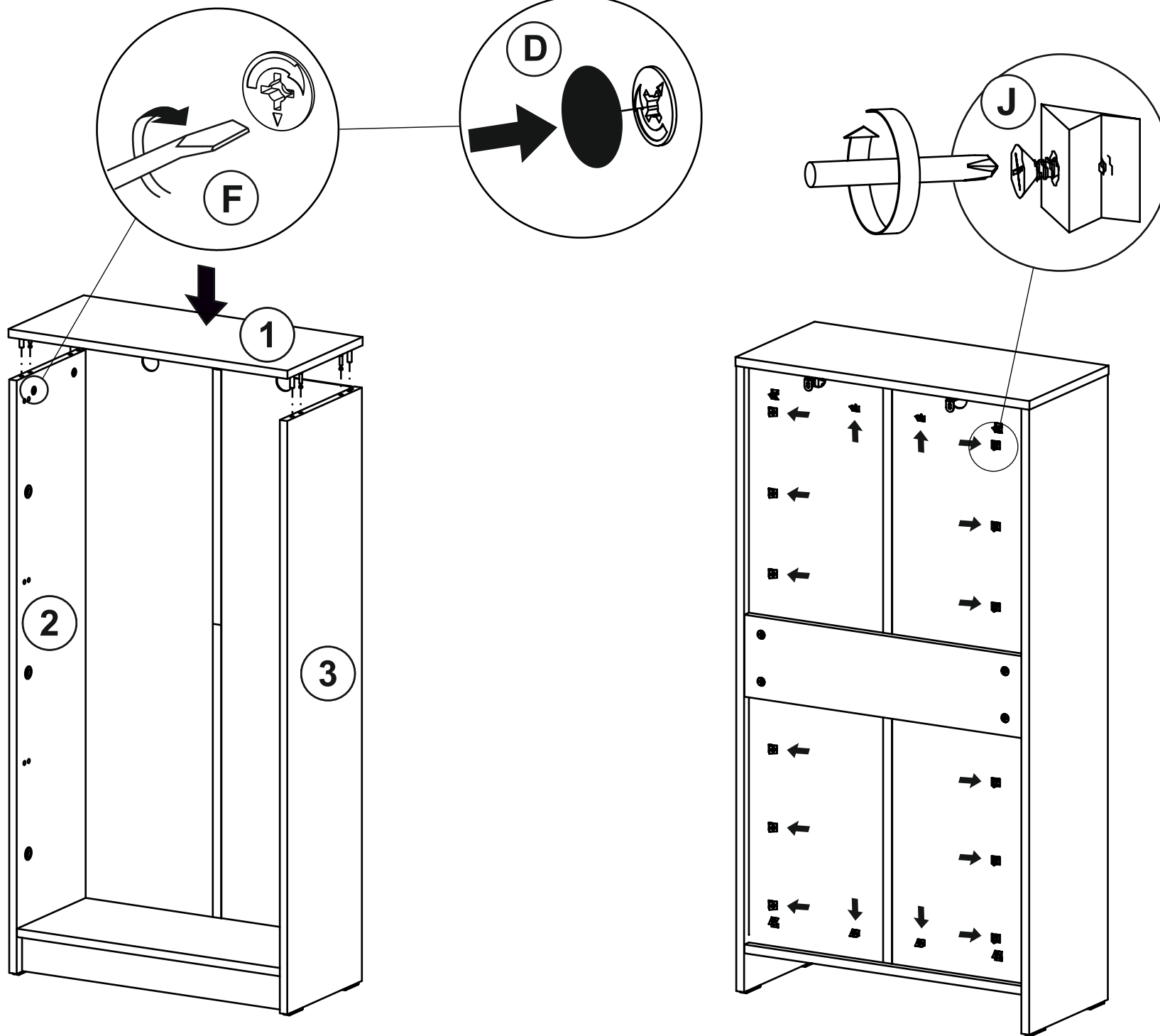
4



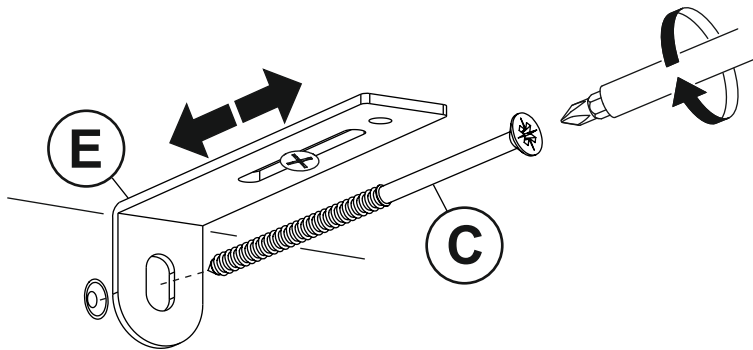
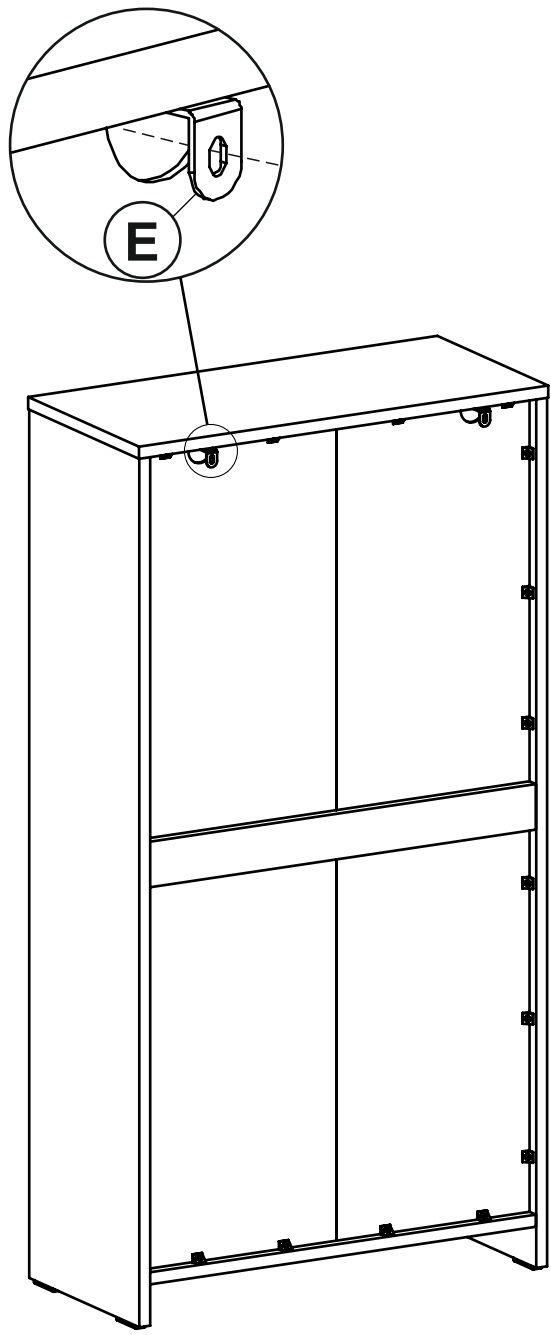
5



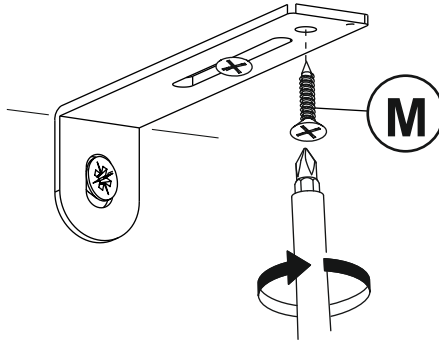
6



7



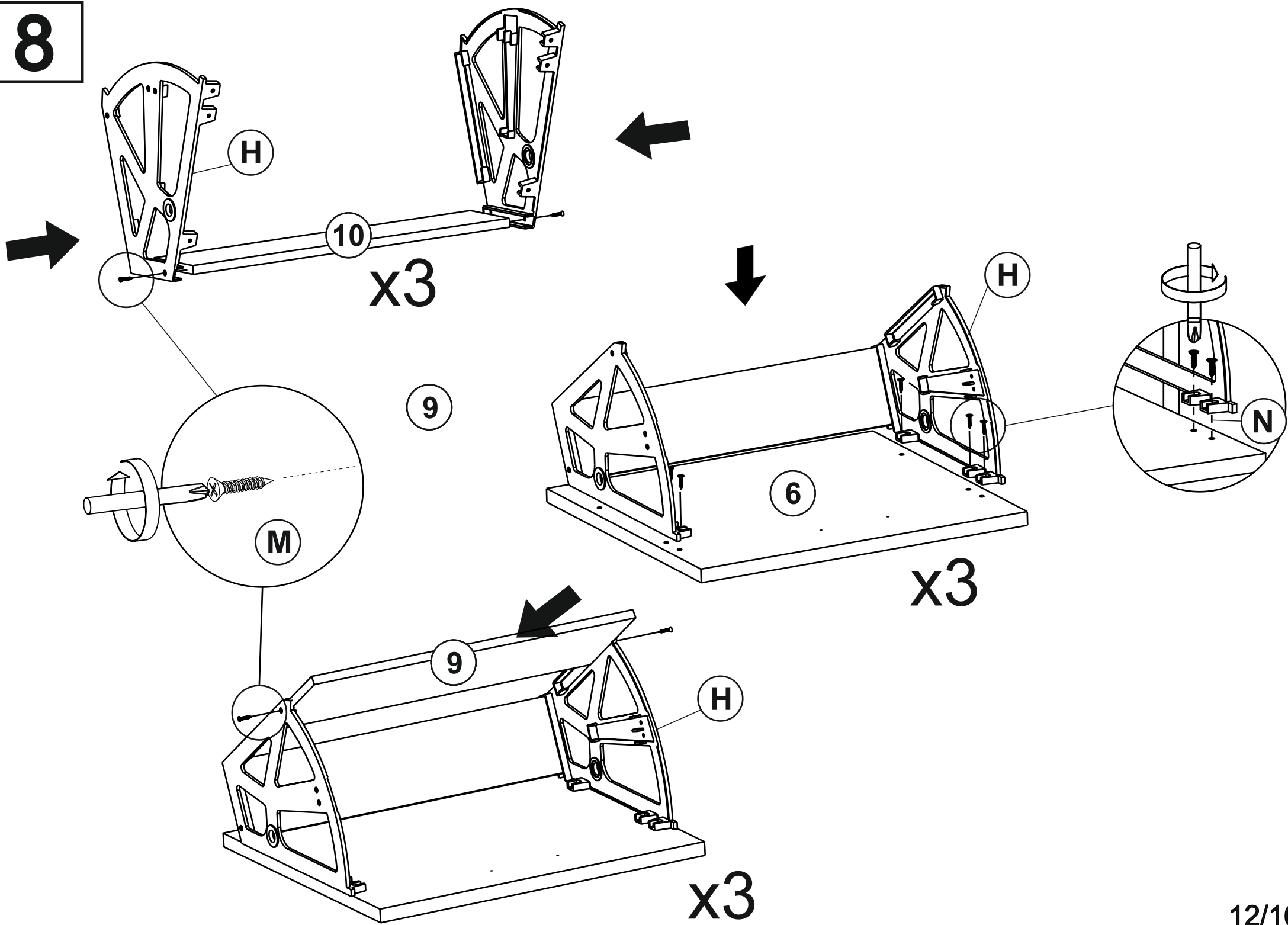
x2



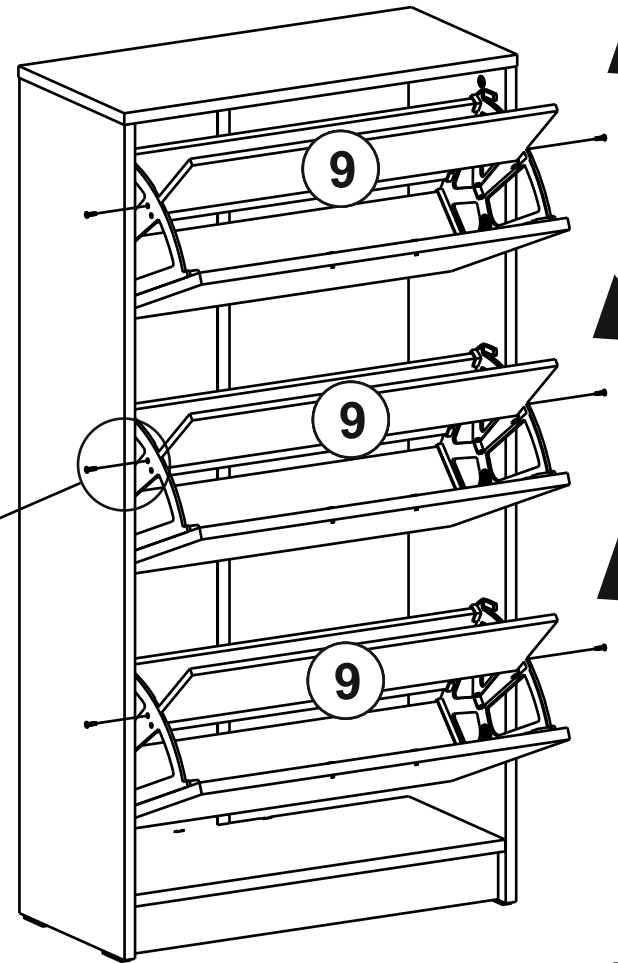
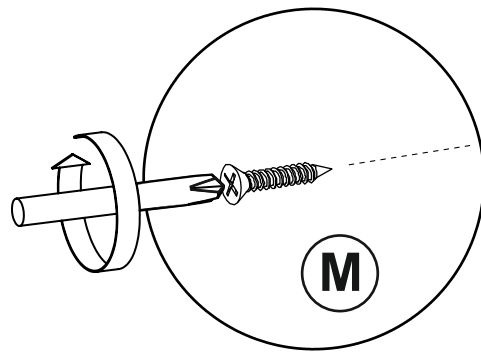
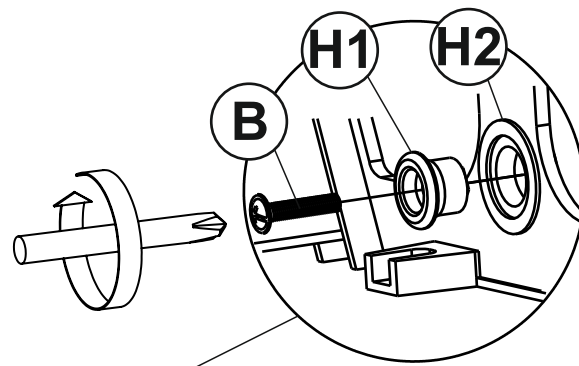
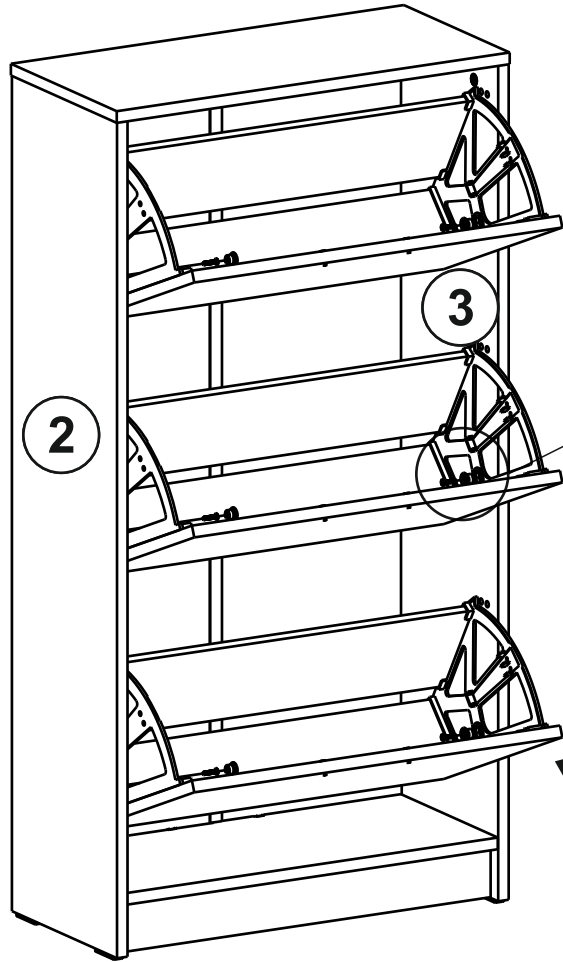
Ø 8 mm
8x80
1
2
C

This block contains a technical diagram for drilling and assembly. It shows a drill bit with a diameter of 8 mm and a length of 80 mm. Step 1 shows the drill bit being used to drill a hole into a surface. Step 2 shows a screw being inserted into the hole, with a curved arrow indicating the direction of rotation. The screw is labeled 'C'.

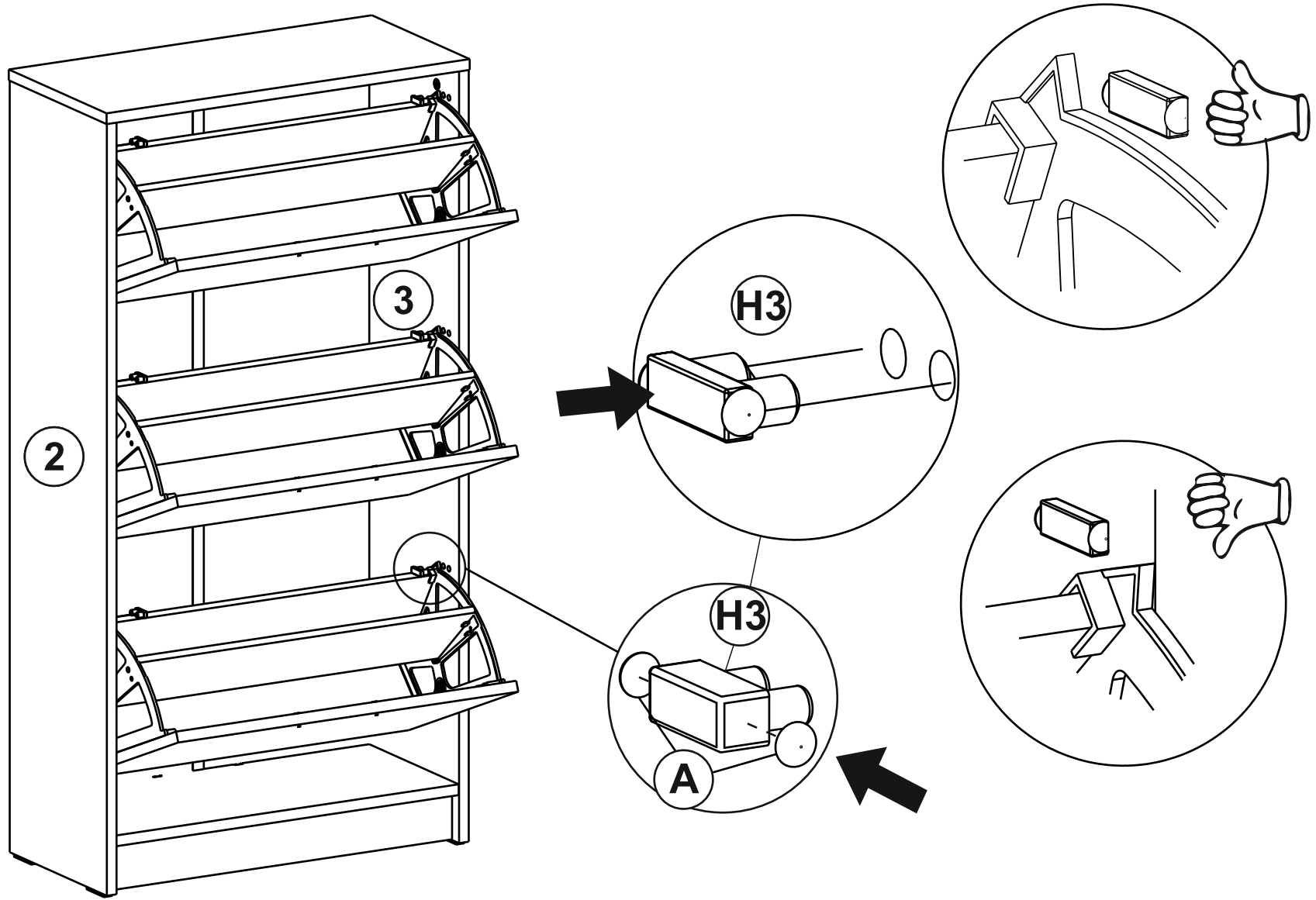
8

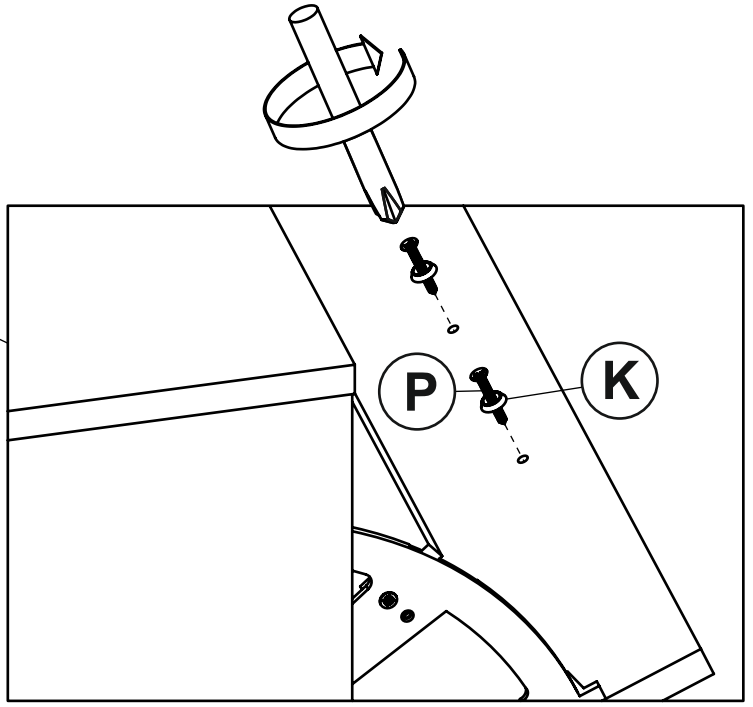
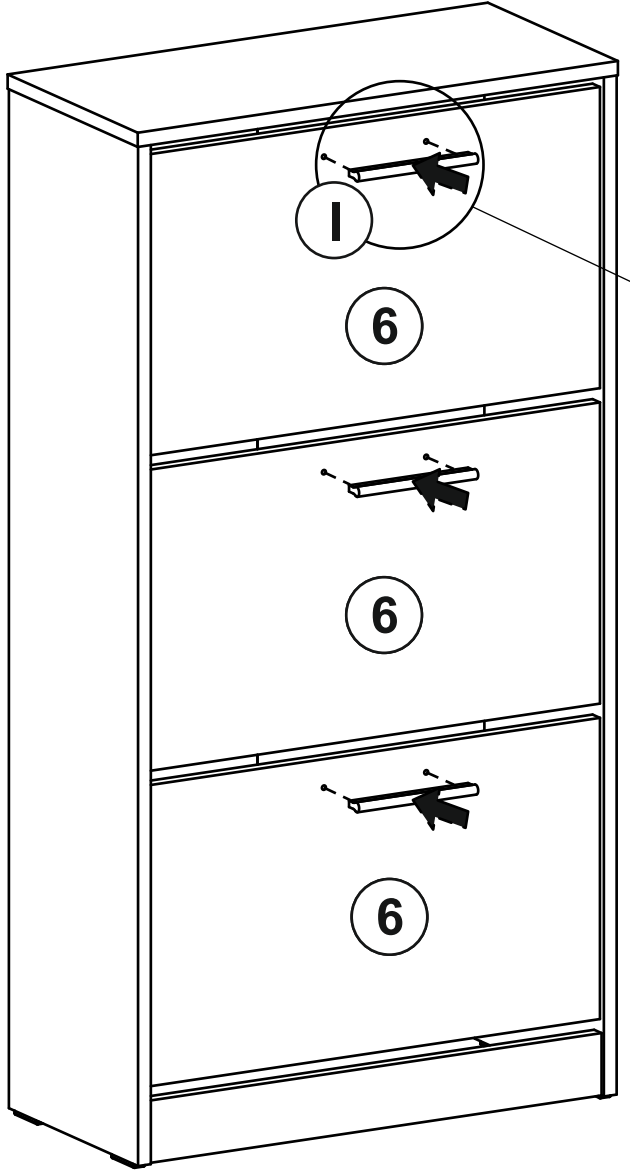


9



10





12

